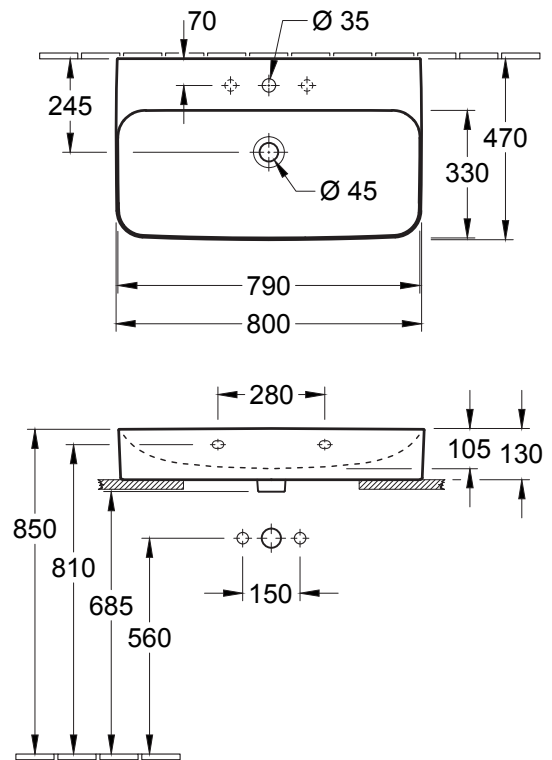


FINION 800 WALL BASIN

Product Image



Technical Specification



Description

Finion 800 Wall Basin

41688GR1CB 1 Tap Hole

Additional Information

- 800x470mm
- With Overflow
- Tapware & Waste pictured not included
- Recommended 32mm wastes;
 - K316-D Chrome
 - 94250 White Ceramic
 - 94245 Chrome
- Made from TitanCeram offering;
 - Uniquely precise design
 - Extremely thin walls
 - Clearly defined edges
- Featuring easy clean CeramicPlus finish
- 5 Year Warranty *Conditions Apply