



# Evana 500 Under Counter Basin

No Tap Hole

## Product Image



## Product Details

<b>Code:</b>	<b>614701</b>
Brand:	Villeroy & Boch
Range:	Evana
Warranty:	10 Years#
Product Width:	500 mm
Product Depth:	350 mm
WELS:	N/A

## Additional Features

### Required Product

### Recommended Products

K316-D PUW series

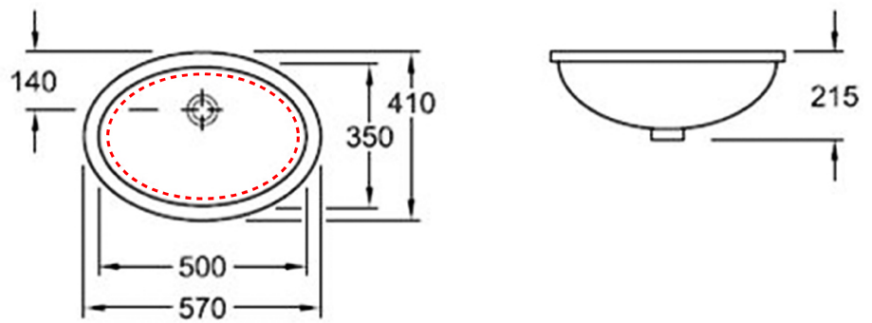
### Additional Notes

- Water capacity to bottom of overflow - 4.4lt
- Basin cutout in stone should be 8-10mm smaller all round than the basin ID

### Installation Instructions

- \* Position logo visible at the back of the basin
- \* No cut out should be attempted in the benchtop without having the basins

## Technical Specification



*Note: All dimensions are in millimetres and are subject to normal manufacturing variations. Always use the physical product measurements for cut-outs and rough-ins as the technical details shown may differ from the actual product. Use acetic cured silicone sealant. Do not use epoxy type adhesives. Clean with damp cloth. Do not use abrasive cleaners, liquids or pastes.*