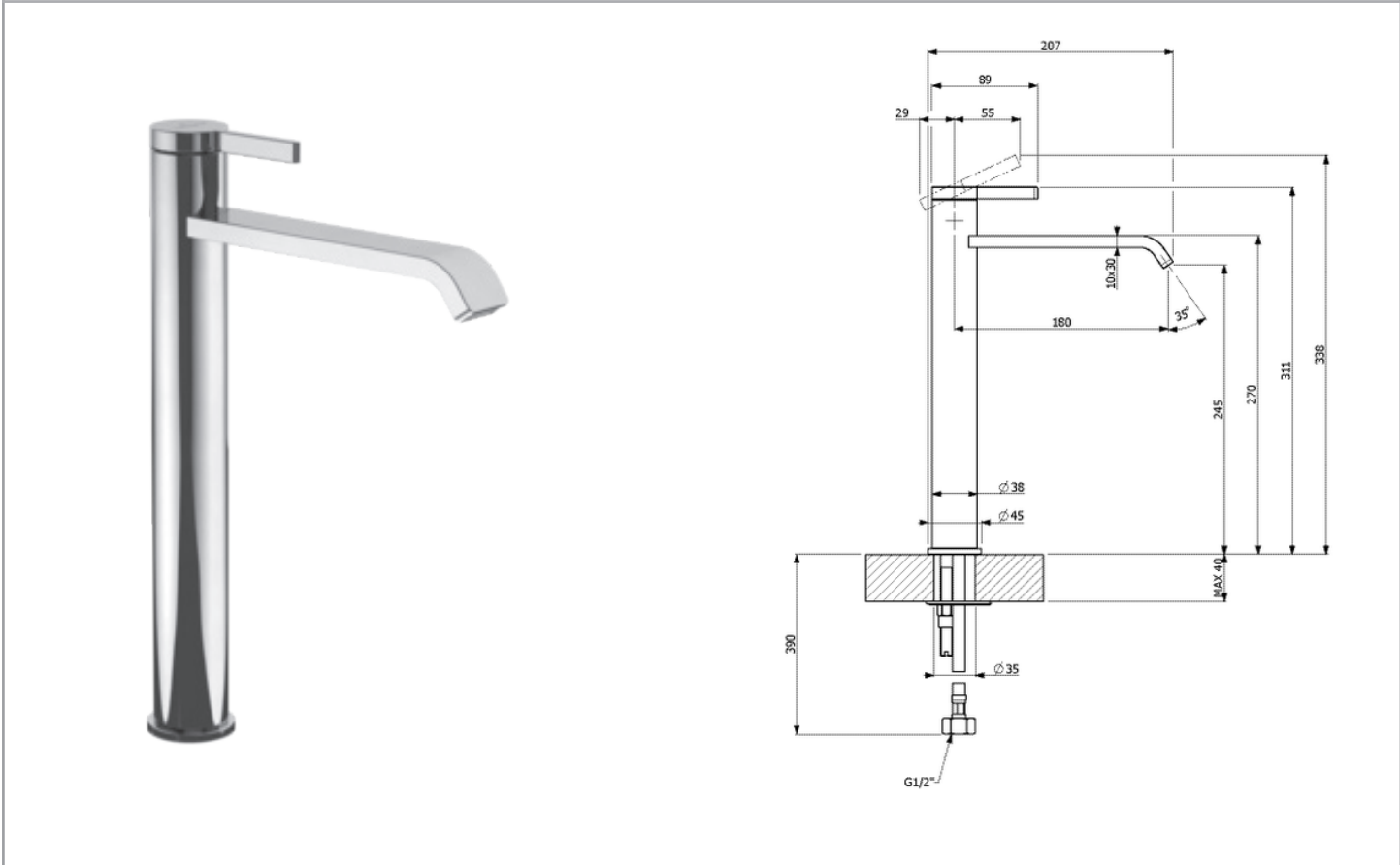




# DAWN VESSEL BASIN MIXER

Product Image	Technical Specification
---------------	-------------------------



Description
<p>Dawn Vessel Basin Mixer WELS 6 Star / 4.5 Lpm</p> <p><b>TVW10610650261</b> Chrome</p>

Additional Information
<ul style="list-style-type: none"> <li>35mm Ceramic Cartridge</li> </ul>
