

BASIC+ CLOSE COUPLED TOILET



Features

- Stylish design for Basic+ Suite
- Dual Flush System
- TORNADO FLUSH for powerful flushing effect with less amount of water
- WATER SAVING
- CEFIONTECT prevent debris on toilet surface
- RIMLESS DESIGN bowl ensures easy cleaning and ultimate hygiene

Specifications

Flush system:	TORNADO FLUSH
Water Use:	4.5L / 3L
Rough-in:	S-Trap / P-Trap (Selectable)
Bowl Shape:	D-Shape
Water Pressure:	0.05MPa~0.75MPa
Size:	416W x 704D x 844H mm

Parts description

Fittings & Tank are included
Seat & Cover not included

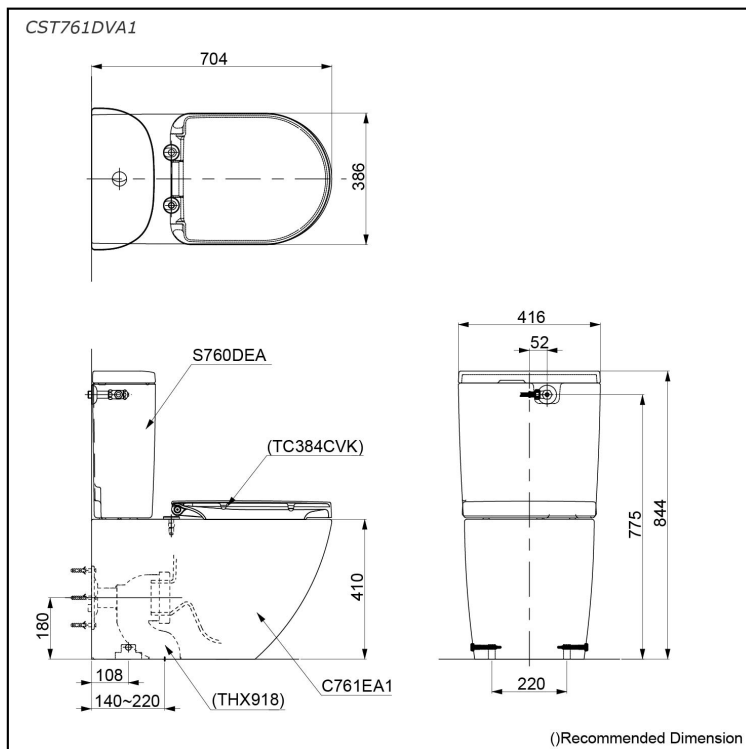
- **C761EA1**
D-Shape Close Coupled Bowl
- **S760DEA**
Tank & Lid

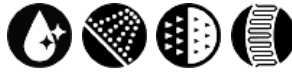
Optional Parts

- TC384CVK
Soft Close Seat & Cover (Urea Resin)
- THX918
Socket (Only for S-Trap)

Colors

White





Features

- EWATER+ spreads out and keeps the nozzle clean by preventing bacteria with sanitizing effect
- PREMIST water is sprayed inside the toilet bowl to make it difficult for dirt to adhere
- Maximized comfort function with pulsating cleansing
- Fully equipped with comfortable rear, front and oscillating cleansing functions
- Adjustable WARM AIR DRYING
- HEATED SEAT with temperature control
- Auto powerful DEODORIZER activates after every usage

EWATER+ is made from tap water by electrolyzed chloride ion without any chemicals. After use, it returns to normal water in the state of safe and environmental friendly

Specifications

Bowl Shape:	D-Shape
Water Pressure:	0.07Mpa~0.75Mpa
Power Rating:	220~240V , 50/60Hz, 828~839W
Length of Power Cord:	1.2 m
Material:	Plastic
Size:	462W x 540D x 130H mm

Parts description

- TCF33320GAU WASHLET D-Shape

Colors

White #NW1

Certifications

