



Compact II Flush Valve Body Low Pressure

Product Image



Product Details

SKU:

Brand:

Range:

Warranty:

WELS:

011370099

Schell

Compact

2 Years

4 Star 4.5 LPM, Reg #: L05444

Additional Features

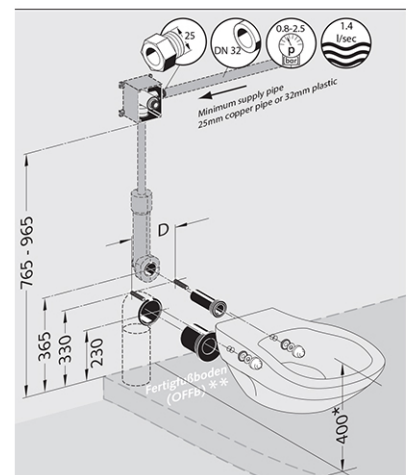
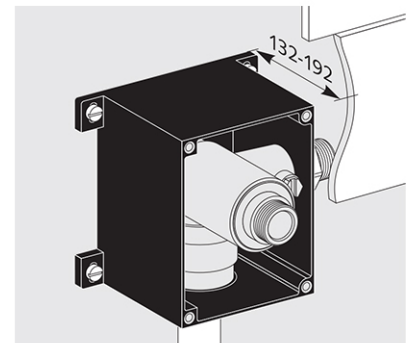
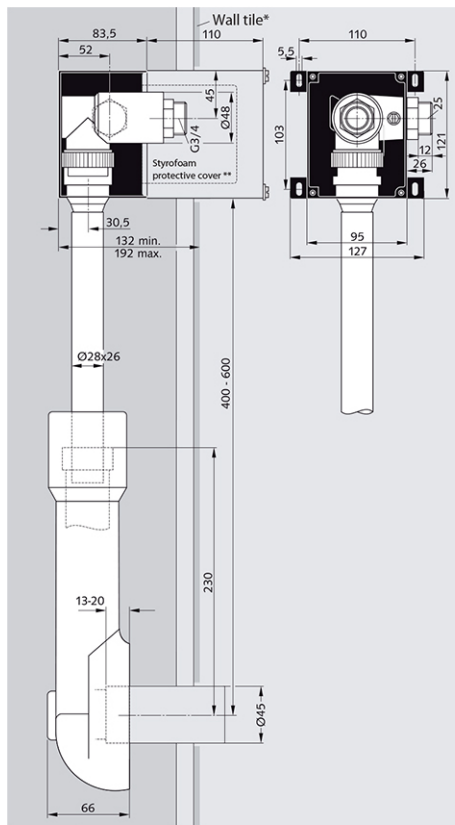
Required Product
Compact II Flush Plate LP

Recommended Products

Additional Notes

- * 028140699
- * 028142899
- * 028141599

Technical Specification



Note: All dimensions are in millimetres and are subject to normal manufacturing variations. Always use the physical product measurements for cut-outs and rough-ins as the technical details shown may differ from the actual product. Use acetic cured silicone sealant. Do not use epoxy type adhesives. Clean with damp cloth. Do not use abrasive cleaners, liquids or pastes.