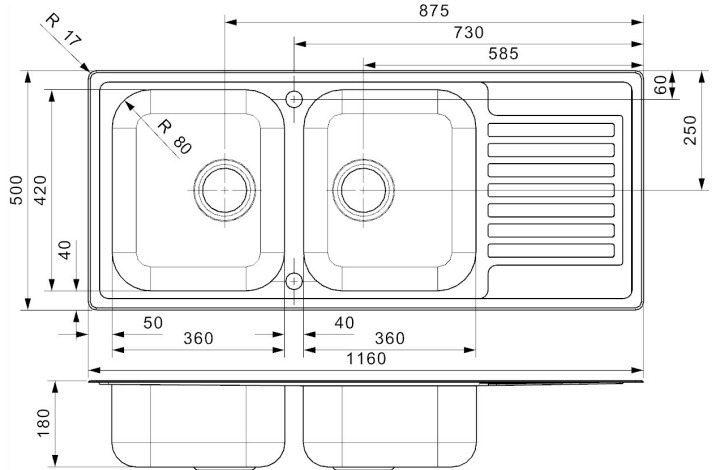




# MONARCH 1160 DOUBLE SINK RIGHT HAND DRAINER

Product Image	Technical Specification
---------------	-------------------------



S1145	DR002	R1035 + S1145	AW100	R1056	R1035
<b>A</b>	<b>B</b>	<b>C</b>	<b>D</b>	<b>E</b>	<b>F</b>

Description	
Monarch 1160 Double Sink Right Hand Drainer	
RIGHT HAND DRAINER	
<b>R27295</b>	1 Tap Hole RH Drainer
<b>R27295FDCB</b>	1 Tap Hole RH Drainer includes <b>B C</b>
LEFT HAND DRAINER	
<b>R27288</b>	1 Tap Hole LH Drainer
<b>R27288FDCB</b>	1 Tap Hole LH Drainer includes <b>B C</b>
NO TAP HOLE	
<b>R27202</b>	No Tap Hole
<b>R27202FDCB</b>	No Tap Hole includes <b>B C</b>

Additional Information
<ul style="list-style-type: none"> <li>Design Overflow</li> <li>Round basket waste</li> <li>304 Stainless Steel Polished Inox Finish</li> <li>Top Mount installation</li> <li>27/27 Litre Capacity</li> <li>Suit 800 Carcass or Larger</li> </ul>

