

PIETRA BIANCA

MARIA



PRODUCT SIZE: 1800MM

PRODUCT CODE: PBST069

5 YEAR RESIDENTIAL
MANUFACTURER'S WARRANTY

3 YEAR COMMERCIAL
MANUFACTURER'S WARRANTY

Designed to give your bathroom a modern yet classic look, the Maria freestanding bath has a rolled edge that offers smooth curves along with a sleek shape that fits perfectly into any bathroom space.

The Maria bathtub pairs perfectly with our Mila stone basin.

AVAILABLE COLOURS

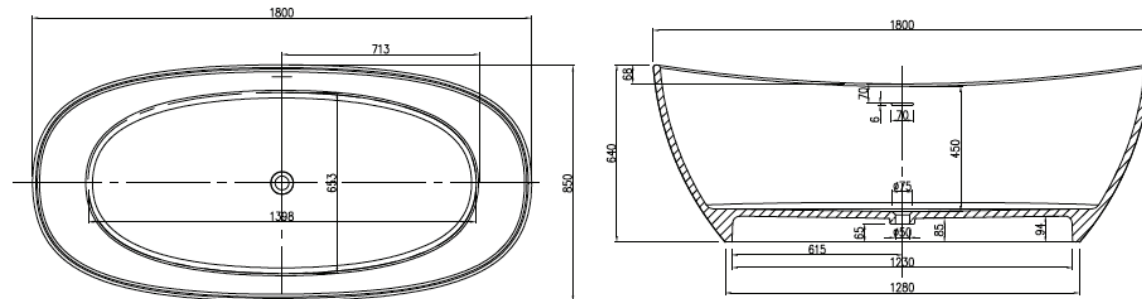
Maria is available in **eight unique colours**, each hand crafted and no two alike. Please note, due to the handmade nature and the high content of natural stone, colour and dimensional tolerances apply.

	BLACK ONYX
	BLACK
	CHARCOAL
	GREY
	COCO BROWN
	IVORY
	WHITE ONYX
	WHITE MATTE

PIETRA BIANCA MATERIAL

The Maria freestanding bath is made from our eco-friendly non-porous composite stone material. Created from our unique blend of reclaimed marble, limestone and engineered resins, our composite stone offers great heat retention, durability, is environmentally friendly and warm to the touch.

Approximate weight: 210kg



Pietra Bianca offers an optional overflow drain and/or a complimenting stone drain cover at an additional cost.

MARIA

PIETRA BIANCA



PRODUCT SIZE: 1630MM

PRODUCT CODE: PBS1009

5 YEAR RESIDENTIAL
MANUFACTURER'S WARRANTY

3 YEAR COMMERCIAL
MANUFACTURER'S WARRANTY

Designed to give your bathroom a modern yet classic look, the Maria freestanding bath has a rolled edge that offers smooth curves along with a sleek shape that fits perfectly into any bathroom space.

The Maria bathtub pairs perfectly with our Mila stone basin.

AVAILABLE COLOURS

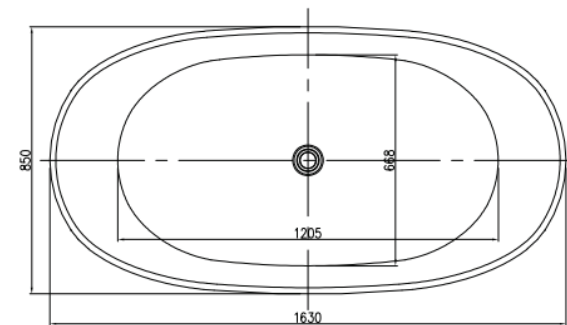
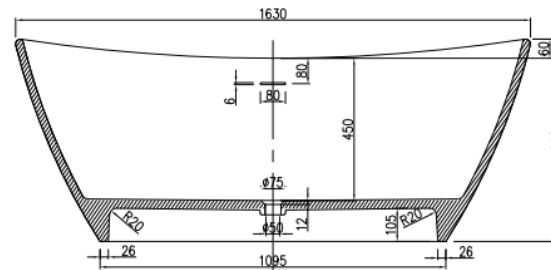
Maria is available in **eight unique colours**, each hand crafted and no two alike. Please note, due to the handmade nature and the high content of natural stone, colour and dimensional tolerances apply.

	BLACK ONYX
	BLACK
	CHARCOAL
	GREY
	COCO BROWN
	IVORY
	WHITE ONYX
	WHITE MATTE

PIETRA BIANCA MATERIAL

The Maria freestanding bath is made from our eco-friendly non-porous composite stone material. Created from our unique blend of reclaimed marble, limestone and engineered resins, our composite stone offers great heat retention, durability, is environmentally friendly and warm to the touch.

Approximate weight: 190kg



Pietra Bianca offers an optional overflow drain and/or a complimenting stone drain cover at an additional cost.