

PIETRA BIANCA

AUTUMN



PRODUCT SIZE: 1500MM

PRODUCT CODE: PB4097-15

5 YEAR RESIDENTIAL  
MANUFACTURER'S WARRANTY

3 YEAR COMMERCIAL  
MANUFACTURER'S WARRANTY

The Autumn freestanding bath presents a free-flowing design with beautiful curves, smooth lines and a wide rimmed edge. The Autumn bath is a statement piece that will add an element of luxury to any bathroom.

### AVAILABLE COLOURS

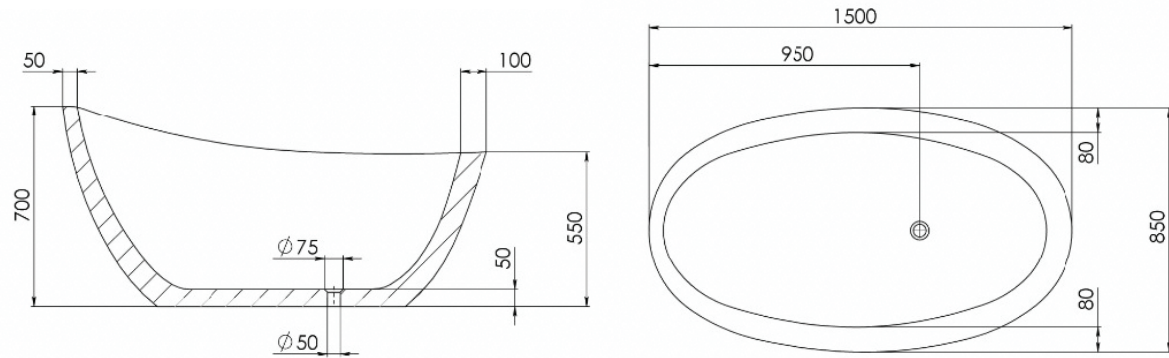
Autumn is available in **eight unique colours**, each hand crafted and no two alike. Please note, due to the handmade nature and the high content of natural stone, colour and dimensional tolerances apply.

	BLACK ONYX
	BLACK
	CHARCOAL
	GREY
	COCO BROWN
	IVORY
	WHITE ONYX
	WHITE MATTE

### PIETRA BIANCA MATERIAL

The Autumn freestanding bath is made from our eco-friendly non-porous composite stone material. Created from our unique blend of reclaimed marble, limestone and engineered resins, our composite stone offers great heat retention, durability, is environmentally friendly and warm to the touch.

Approximate weight: 135kg



Pietra Bianca offers an optional overflow drain and/or a complimenting stone drain cover at an additional cost.

PIETRA BIANCA

AUTUMN

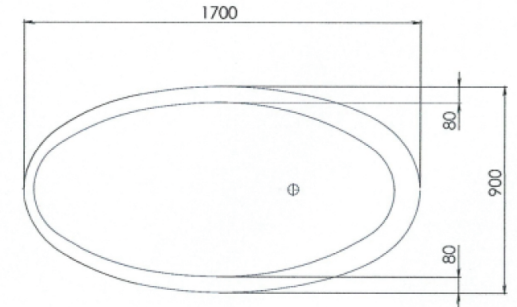
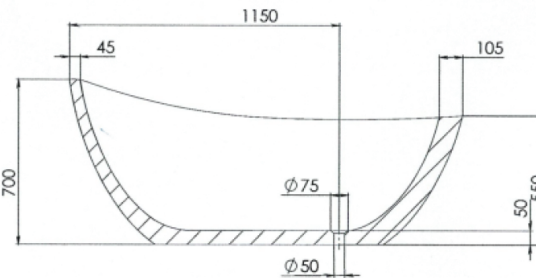


PRODUCT SIZE: 1700MM

PRODUCT CODE: PB4097-17

5 YEAR RESIDENTIAL  
MANUFACTURER'S WARRANTY

3 YEAR COMMERCIAL  
MANUFACTURER'S WARRANTY



The Autumn freestanding bath presents a free-flowing design with beautiful curves, smooth lines and a wide rimmed edge. The Autumn bath is a statement piece that will add an element of luxury to any bathroom.

### AVAILABLE COLOURS

Autumn is available in **eight unique colours**, each hand crafted and no two alike. Please note, due to the handmade nature and the high content of natural stone, colour and dimensional tolerances apply.

	BLACK ONYX
	BLACK
	CHARCOAL
	GREY
	COCO BROWN
	IVORY
	WHITE ONYX
	WHITE MATTE

### PIETRA BIANCA MATERIAL

The Autumn freestanding bath is made from our eco-friendly non-porous composite stone material. Created from our unique blend of reclaimed marble, limestone and engineered resins, our composite stone offers great heat retention, durability, is environmentally friendly and warm to the touch.

Approximate weight: 145kg



Pietra Bianca offers an optional overflow drain and/or a complimenting stone drain cover at an additional cost.