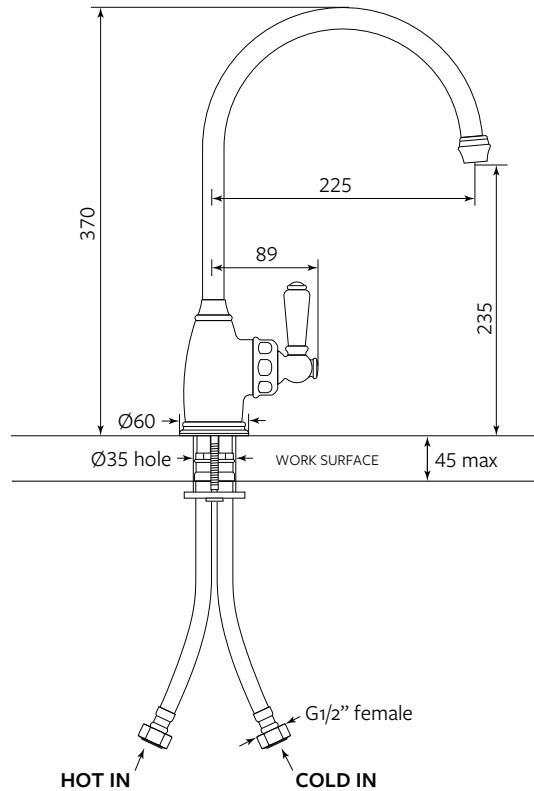


# Yarrow

AUSH.4341



MODEL	CODE
Yarrow - Chrome	AUSH.4341CPWPC
Yarrow - Nickel	AUSH.4341NIWPC
Yarrow - Pewter	AUSH.4341PFWPC
Yarrow - English Bronze	AUSH.4341EBWPC
Yarrow - Satin Brass	AUSH.4341SBWPC
Yarrow - Polished Brass	AUSH.4341BRWPC
Yarrow - Gold (special order)	AUSH.4341IGWPC

*Also Available: Yarrow with Spray Rinse (AUSH.4346) Please note, spray rinse cannot be added to the standard mixer later.*

**Features include:**

- Handcrafted in the United Kingdom using DZR brass
- White porcelain handle with Shaws insignia indice
- 1/4 turn German ceramic disc flow control
- Vernier insert for accurate handle alignment
- 15 Year warranty. Please visit our website for individual finish warranties

Temperature range: Min 1°C. Max 70°C  
 Working Pressure: Min 1 Bar/15psi. Max 5 Bar/75psi  
 Packed Weight: 3.02kg  
 Flow Rates: 1 Bar: 5.9L/min  
 2 Bar: 9.7L/min  
 3 Bar: 12.5L/min

