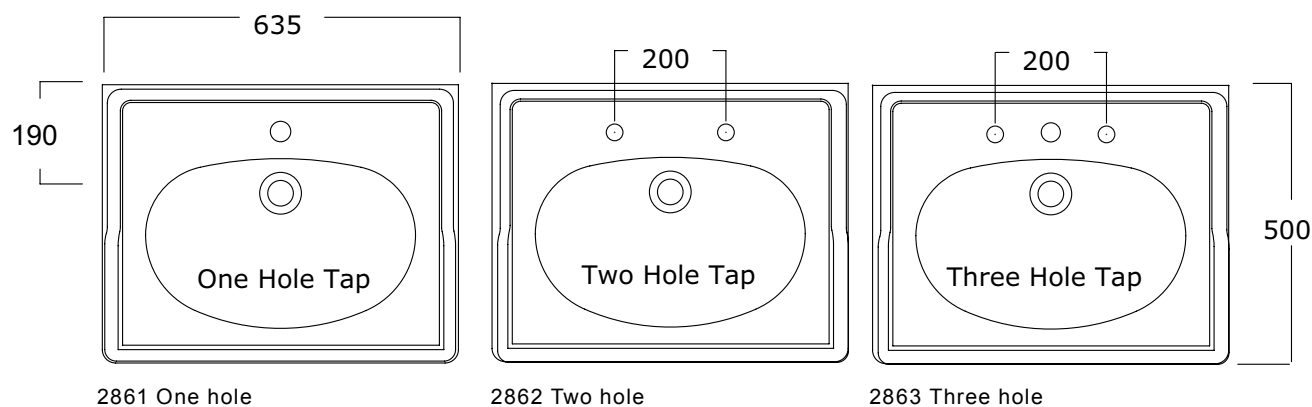
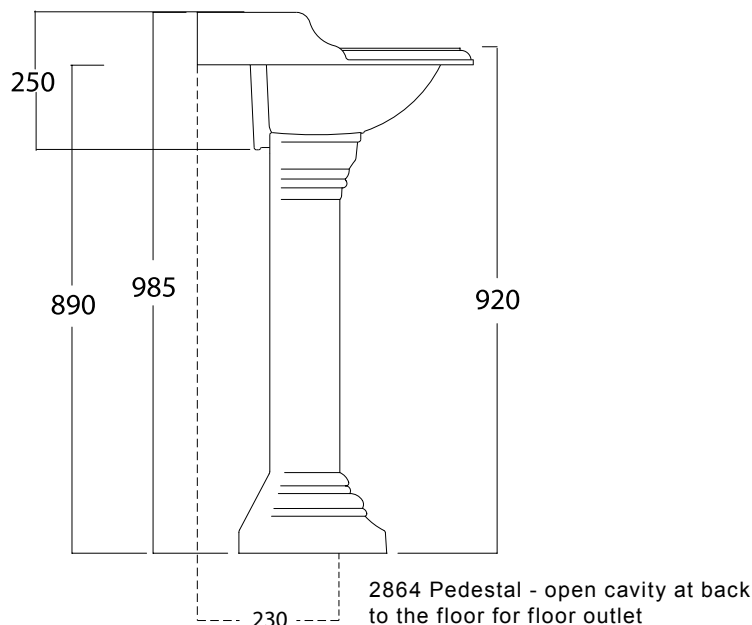


Specification Sheet - Victorian 630mm handbasin

- 2860 zero holes / 2861 one hole / 2862 two hole / 2863 three hole
- 2864 pedestal optional



- Made in England
- Premium quality porcelain bathroomware
- Five year warranty
- Available with or without pedestal
- Available with 0, 1, 2 and 3 tap holes
- Central tap hole 35mm diameter (models 2861 & 2863)
- Outer pair of tap holes 28mm diameter (models 2862 & 2863)
- Standard 32mm wastes available
- We recommend having the product on site for your installer to measure from for installation set out. Each handcrafted product will have its own unique measurements.

The English Tapware Company is the dedicated distributor of Perrin & Rowe tapware in Australia. For further information or technical support please contact: techsupport@englishtapware.com.au
WWW.ENGLISHTAPWARE.COM.AU