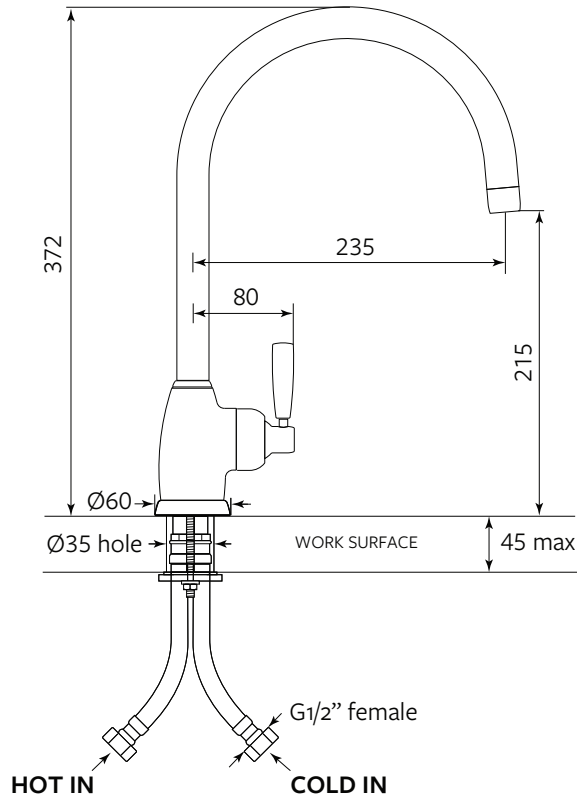


Roeburn

AUSH.4841



MODEL	CODE
Roeburn - Chrome	AUSH.4841CP
Roeburn - Nickel	AUSH.4841NI
Roeburn - Pewter	AUSH.4841PF
Roeburn - English Bronze	AUSH.4841EB
Roeburn - Satin Brass	AUSH.4841SB
Roeburn - Polished Brass	AUSH.4841BR
Roeburn - Gold (<i>special order</i>)	AUSH.4841IG

Also Available: Roeburn with Spray Rinse (AUSH.4846) Please note, spray rinse cannot be added to the standard mixer later.

Features include:

- Handcrafted in the United Kingdom using DZR brass
- Single metal lever handle with engraved temperature indicators
- 1/4 turn German ceramic disc flow control
- Vernier insert for accurate handle alignment
- 15 Year warranty. Please visit our website for individual finish warranties

Temperature range: Min 1°C. Max 70°C
 Working Pressure: Min 1 Bar/15psi. Max 5 Bar/75psi
 Packed Weight: 2.97kg
 Flow Rates: 1 Bar: 5.9L/min
 2 Bar: 9.7L/min
 3 Bar: 12.5L/min

