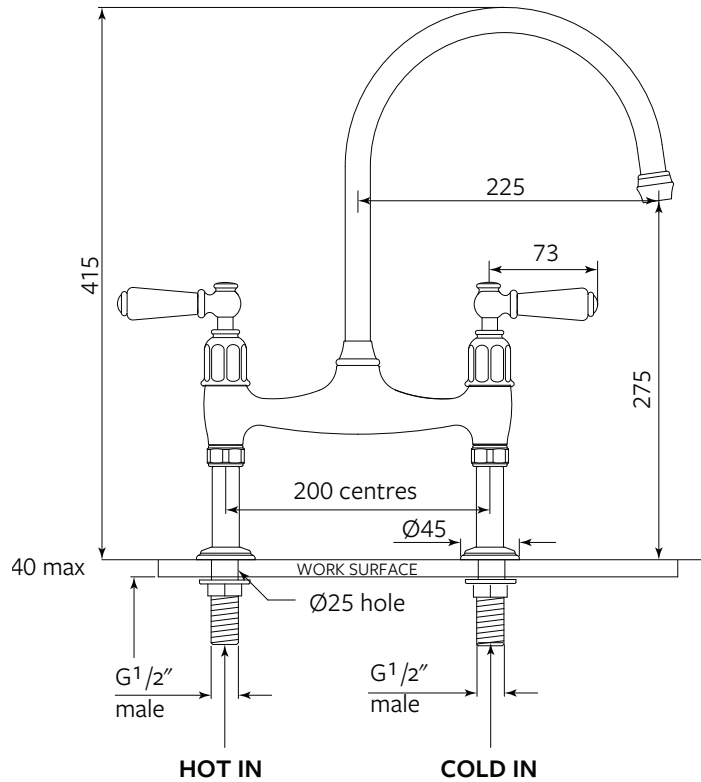


Pendleton

AUSH.4193



MODEL	CODE
Pendleton - Chrome	AUSH.4193CPWPC/H1
Pendleton - Nickel	AUSH.4193NIWPC/H1
Pendleton - Pewter	AUSH.4193PFWPC/H1
Pendleton - English Bronze	AUSH.4193EBWPC/H1
Pendleton - Satin Brass	AUSH.4193SBWPC/H1
Pendleton - Polished Brass	AUSH.4193BRWPC/H1
Pendleton - Gold	AUSH.4193IGWPC/H1

Also Available: Pendleton with Spray Rinse (AUSH.4173) Please note, spray rinse cannot be added to the standard mixer.



Features include:

- Handcrafted in the United Kingdom using DZR brass
- White porcelain handles with Shaws insignia indices
- 1/4 turn German ceramic disc flow control
- Vernier insert for accurate handle alignment
- 15 Year warranty. Please visit our website for individual finish warranties

Temperature range: Min 1°C. Max 70°C
 Working Pressure: Min 1 Bar/15psi. Max 5 Bar/75psi
 Packed Weight: 3.3kg
 Flow Rates: 1 Bar: 9L/min
 2 Bar: 13.2L/min
 3 Bar: 15.4L/min

