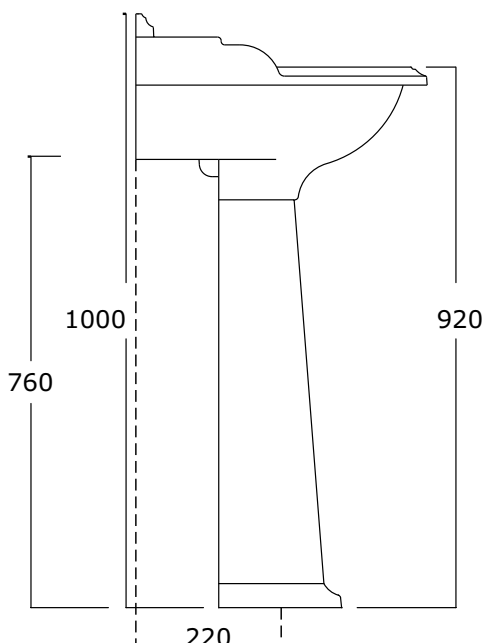
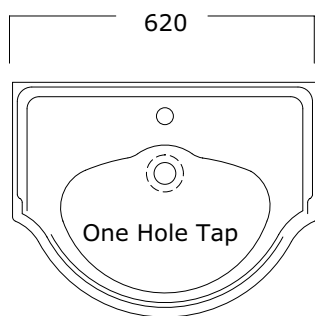


Specification Sheet - Edwardian 630mm handbasin

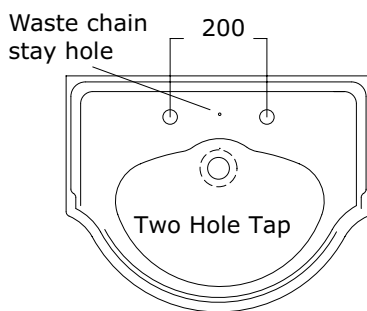
- 2900 zero holes / 2901 one hole / 2902 two hole / 2903 three hole
- 2904 pedestal optional



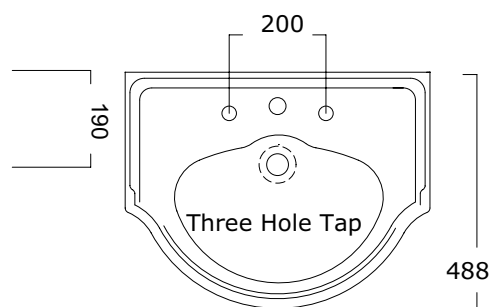
2904 Pedestal - open cavity at back to the floor for floor outlet



2901 One hole



2902 Two hole



2903 Three hole

- Made in England
- Premium quality porcelain bathroomware
- Five year warranty
- Available with or without pedestal
- Available with 0, 1, 2 and 3 tap holes
- Central tap hole 35mm diameter (models 2901 & 2903)
- Outer pair of tap holes 28mm diameter (models 2902 & 2903)
- Central waste chain stay hole (model 2902)
- Standard 32mm wastes available
- We recommend having the product on site for your installer to measure from for installation set out. Each handcrafted product will have its own unique measurements.

The English Tapware Company is the dedicated distributor of Perrin & Rowe tapware in Australia. For further information or technical support please contact: [techsupport@englishtapware.com.au](mailto:techsupport@englishtapware.com.au)  
**WWW.ENGLISHTAPWARE.COM.AU**