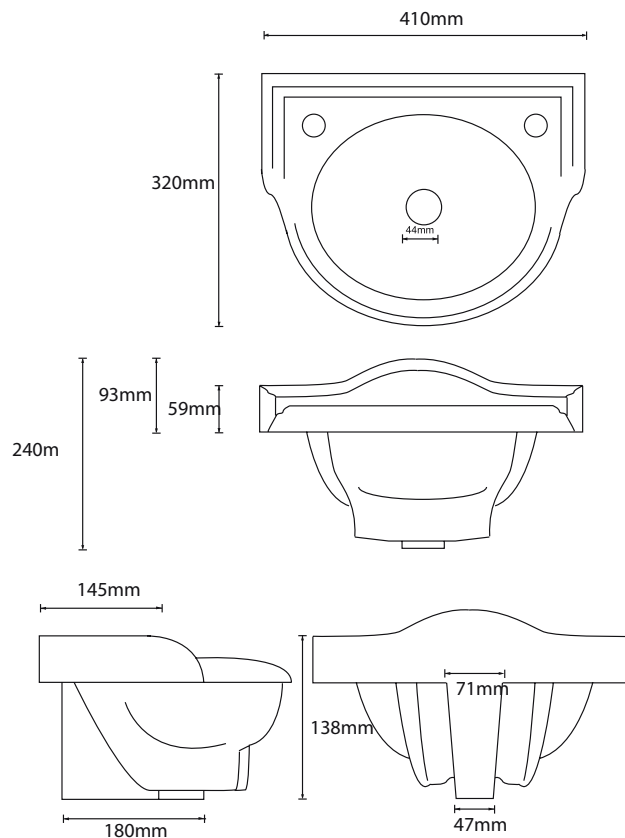


Specification Sheet - Traditional 410mm powder room basin
 - 2910 zero holes / 2911 one holes / 2912 two holes
 - 2904 pedestal optional



Specifications

- Made in England
- Premium quality porcelain bathroomware
- Five year warranty
- Available with or without pedestal
- Available with 0, 1 or 2 tap holes
- Tap holes 28mm diameter (models 2911 and 2912)
- Standard 32mm wastes available
- Overall height when mounted on pedestal
- We recommend having the product on site for your installer to measure from for installation set out. Each handcrafted product will have its own unique measurements.

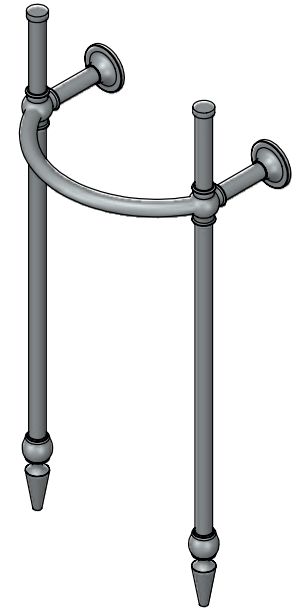
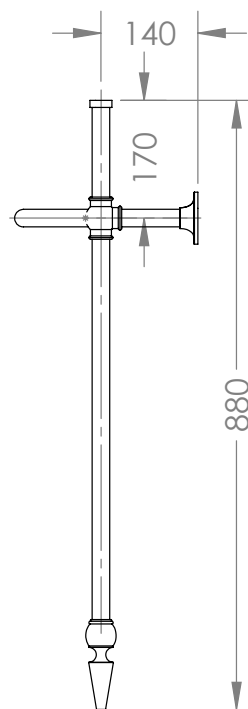
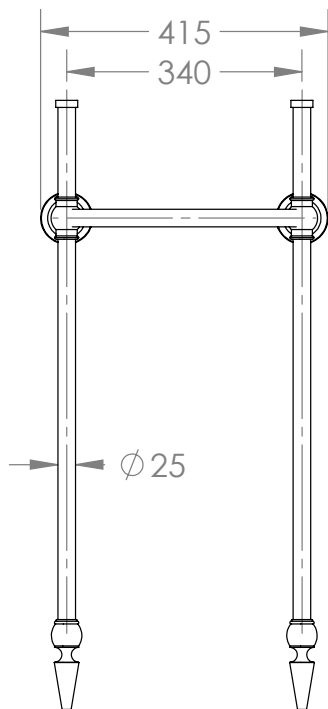
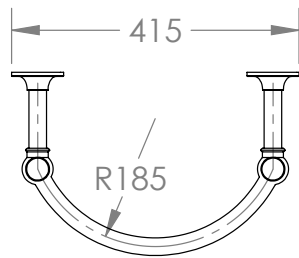
Hawthorn Hill

Luxury Detailing

SINGLE 2 LEG CURVED WALL BASIN STAND.
ORNATE BALL JOINTS & ORNATE POINTED
FEET. W340 X D140 X H880 X T170

CODE: HHRC-ED-410-RP

- MADE IN ENGLAND TO ORDER
- HAND CRAFTED & HAND FINISHED
- PREMIUM BRASS FITTINGS & 25MM TUBE
- HEIGHT ADJUSTABLE AT TOP & FEET
- CONCEALED WALL MOUNTS
- OPTIONAL FOOT PIN INTO THE FLOOR
- DEMOUNTABLE FOR TRANSPORT
- ORNATE JOINT STYLE
- ORNATE POINTED FEET
- DESIGNED TO SUPPORT PERRIN & ROWE 2910-2 POWDER ROOM 410MM BASIN



FINISHES: CHROME (CP) • NICKEL (NI) • PEWTER (PF) • GOLD (IG) • BRONZE (BZ)
SATIN BRASS (SB) • POLISHED BRASS (BR) • ANTIQUE BRASS (AB) • GUN METAL (GM)