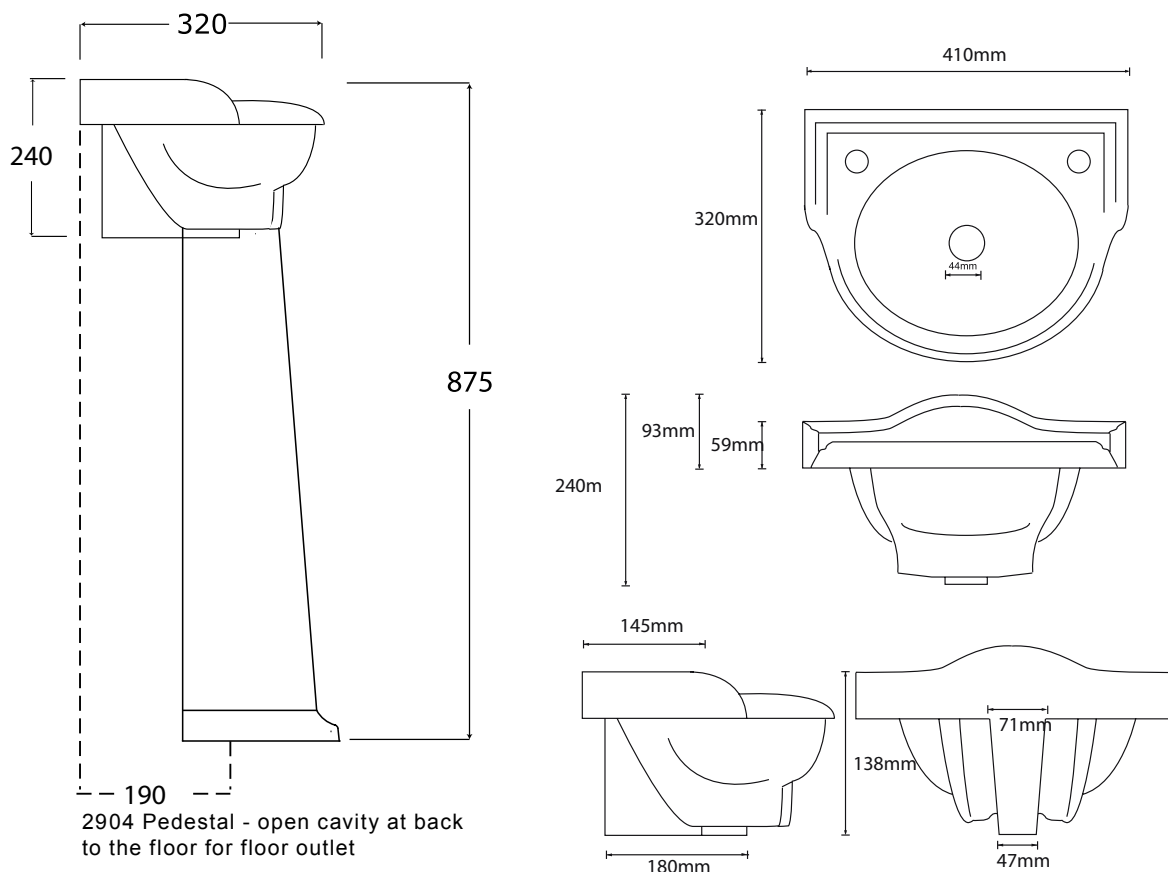


Specification Sheet - Traditional 410mm powder room basin  
- 2910 zero holes / 2911 one holes / 2912 two holes  
- 2904 pedestal optional



- Made in England
- Premium quality porcelain bathroomware
- Five year warranty
- Available with or without pedestal
- Available with 0, 1 or 2 tap holes
- Tap holes 28mm diameter (models 2911 and 2912)
- Standard 32mm wastes available
- Overall height when mounted on pedestal
- We recommend having the product on site for your installer to measure from for installation set out. Each handcrafted product will have its own unique measurements.