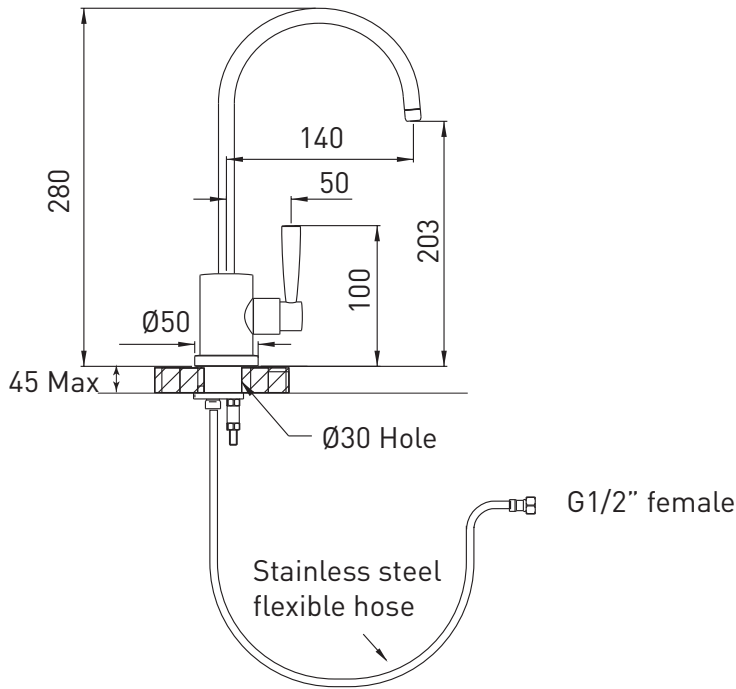


CONTEMPORARY

Specification Sheet - AU.1601 - Contemporary Water Filter Tap



- Premium quality tapware
- Made in England
- Produced from brass
- Available in Chrome, Pewter, Uncoated Satin Brass or Uncoated Polished Brass finishes
- Max. inlet pressure 500kPa, in accordance with the Plumbing Code of Australia.
- German quarter-turn ceramic disc valve. Min 1° - max 85° Celsius.
- The maximum benchtop thickness may be extended to 110mm by using the Perrin & Rowe extension kit.
- Only Perrin & Rowe tapware produced for The English Tapware Company has WaterMark certification (licence number WMKA02818). Perrin & Rowe tapware sold elsewhere in the world does not carry this certification; is not produced from DZR brass and can not be legally installed in Australia.
- 15 year warranty

The English Tapware Company is the dedicated distributor of Perrin & Rowe tapware in Australia. For further information or technical support please contact: techsupport@englishtapware.com.au
WWW.ENGLISHTAPWARE.COM.AU



WaterMark

AS/NZS 3718
WMKA02818
SAI Global

Perrin & Rowe
Tapware

Specifications

All dimensions in millimetres unless otherwise specified.