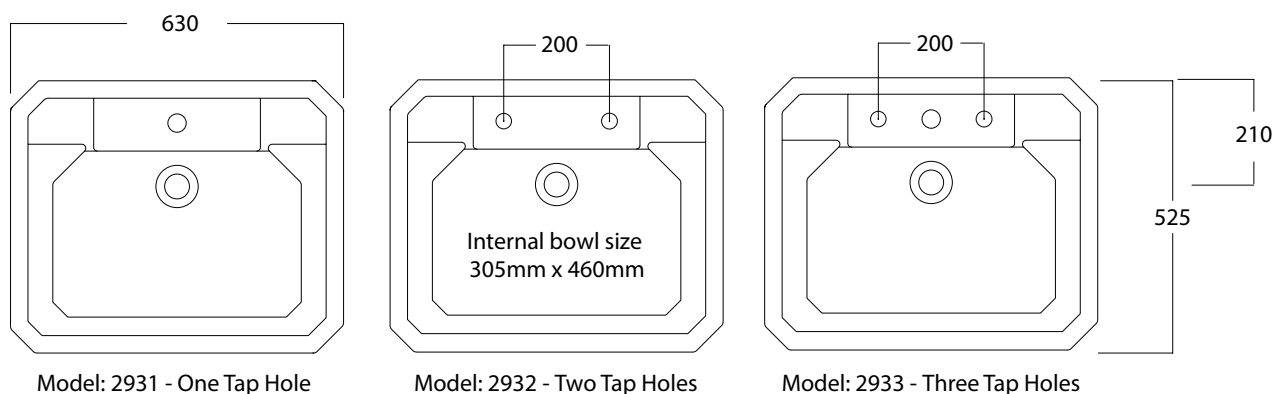




## Specification Sheet - Art Deco 630mm handbasin

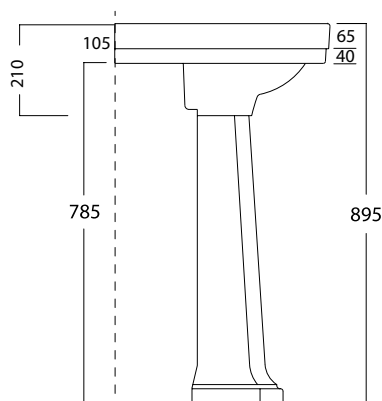
- 2930 zero holes / 2931 one hole / 2932 two hole / 2933 three hole
- 2934 pedestal optional



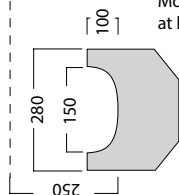
Model: 2931 - One Tap Hole

Model: 2932 - Two Tap Holes

Model: 2933 - Three Tap Holes



Model: 2934 Pedestal - open cavity at back to the floor for floor outlet



- Made in England
- Premium quality porcelain bathroomware
- Five year warranty
- Available with or without pedestal
- Available with 0, 1, 2 and 3 tap holes
- Central tap hole 35mm diameter (models 2931 & 2933)
- Outer pair of tap holes 28mm diameter (models 2932 & 2933)
- Standard 32mm wastes available
- We recommend having the product on site for your installer to measure from for installation set out. Each handcrafted product will have its own unique measurements.

The English Tapware Company is the dedicated distributor of Perrin & Rowe in Australia.

For further information or technical support please contact: [techsupport@englishtapware.com.au](mailto:techsupport@englishtapware.com.au)

**WWW.ENGLISHTAPWARE.COM.AU**

# Specifications

# Hawthorn Hill

*Luxury Detailing*

SINGLE 2 LEG WALL MOUNTED BASIN  
STAND. CONTEMP. JOINTS & STEPPED FEET.  
W505 X D445 X H780 X T170

**CODE:** HHCS-ART-630SF-CS

- MADE IN ENGLAND TO ORDER
- HAND CRAFTED & HAND FINISHED
- PREMIUM BRASS FITTINGS & 25MM TUBE
- HEIGHT ADJUSTABLE AT TOP & FEET
- AVAILABLE IN BESPOKE SIZES
- CONCEALED WALL MOUNTS
- OPTIONAL FOOT PIN INTO THE FLOOR
- DEMOUNTABLE FOR TRANSPORT
- CONTEMPORARY JOINT STYLE
- CONTEMPORARY STEPPED FEET
- 13MM DIA. TUBULAR SHELF
- PLUMBING OUTLET MUST GO THROUGH THE REAR WALL
- DESIGNED TO SUPPORT PERRIN & ROWE 2930-3 ART DECO 630MM BASIN

