

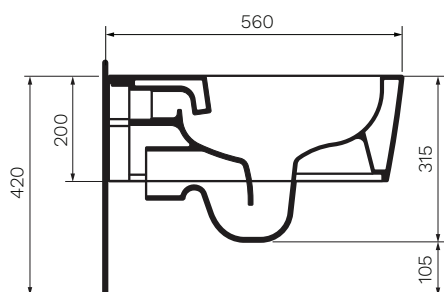
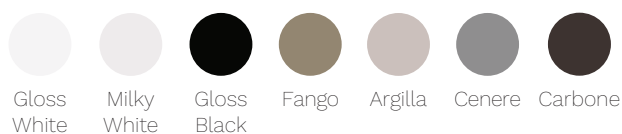


Link Wall Hung Pan (goclean®)

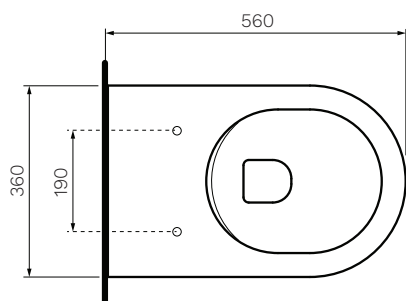
Product Code: FLLK118G.XX

(see colour codes below)

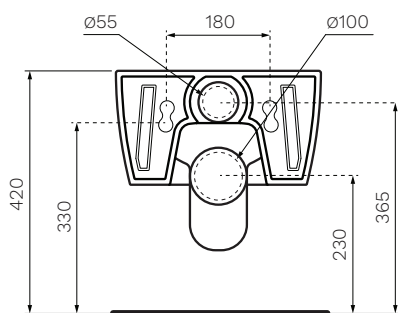
The innovative design of the Link open rim goclean® toilet projects water rather than the traditional flush where water pours down from the rim. Through the powerful delivery of water, optimum cleaning of the inner bowl is achieved. Functionality is combined with an appealing, compact design.



SIDE VIEW



TOP VIEW



REAR VIEW



- Colour & Finish** — Gloss White, Milky White (01), Gloss Black (02), Fango (07), Argilla (09), Cenere (11), Carbone (22)
- Material** — Vitreous China
- W x D x H** — 360 x 560 x 315mm
- Rim Type** — goclean®
- Seat Type** — Soft Close, Slim Heavy Grade, Stainless steel hinges, Easy Lift-off (FLQKCW09)
- P Trap** — 230mm height FFL
- Water Inlet** — Back Inlet 365mm height FFL
- Cistern Options** — Compatible with framed concealed cisterns (PA120, PA121, PA140, PA141)
- Button Options** — Compatible with push button panels and remote button sets (PA221 - PA265)
- WELS** — 4 STAR 4.5/3L 3.3L Average Flush
- Warranty** — 10 Years (Conditions Apply)

→ **FLAMINIA.**



goclean®

