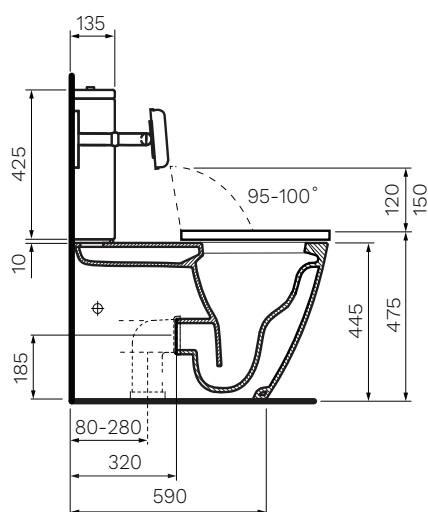




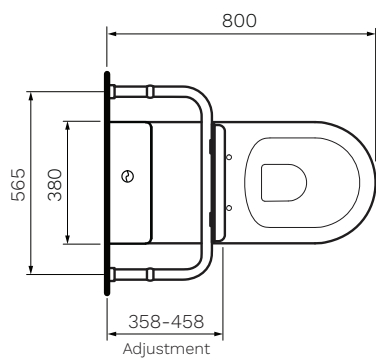
Ellisse Accessible Toilet Suite with Grey Seat and Backrest

Product Code: PN800B

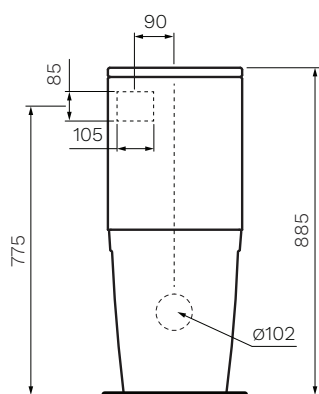
The Ellisse Accessible Toilet Suite with Backrest is designed to meet the compliance requirements of AS1428.1-2009. The extended projection and elevated pan height assist persons with disabilities. The backrest is site adjustable upon installation. Suitable for accessible unisex sanitary facilities.



SIDE VIEW



TOP VIEW



FRONT VIEW



Gloss White



- Colour & Finish** — Gloss White
- Material** — Suite: Ceramic, Backrest: 304 Stainless Steel, Polyurethane
- W x D x H** — 565 x 800 x 885mm
- Rim Type** — PARISI Rimless
- Seat Type** — Single Flap, Heavy Grade, Contrasting Grey with Lateral Stabilisers (PN5800)
- Surface Hygiene** — Easyclean Antibacterial protection
- P Trap** — 185mm height FFL
- S Trap** — 80 - 280mm using PN0030 connector (included)
- Water Inlet** — Back Inlet 775mm height FFL, Bottom Inlet L&R
- Compliance** — Can be installed to comply with AS1428.1-2009
Includes Raised Push Buttons with Tactile Indicators
- WELS** — 4 STAR 4.5/3L 3.5L Average Flush
- Warranty** — 10 Years (Conditions Apply)

PARISI



RIMLESS

