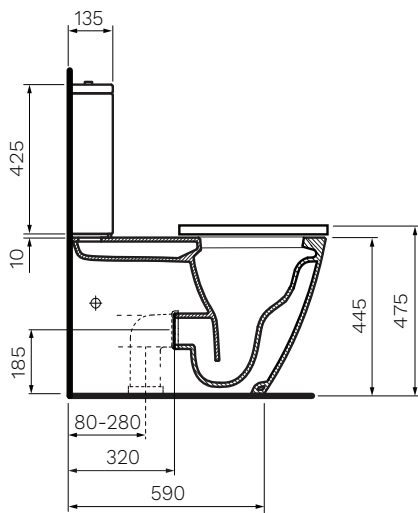




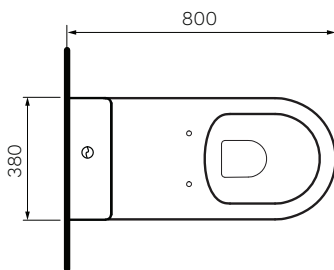
Ellisse Accessible Wall Faced Suite with Grey Seat

Product Code: PN800

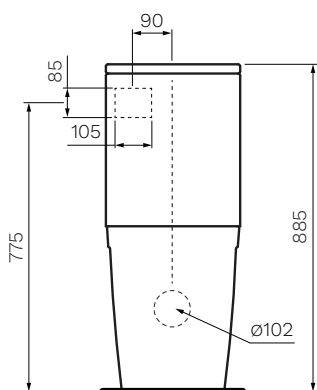
The Ellisse Accessible Toilet Suite is designed to meet the compliance requirements of AS1428.1-2009. The extended projection and elevated pan height assist persons with disabilities. Suitable for accessible unisex sanitary facilities.



SIDE VIEW



TOP VIEW



FRONT VIEW



Gloss White



- Colour & Finish** — Gloss White
- Material** — Ceramic
- W x D x H** — 380 x 800 x 885mm
- Rim Type** — PARISI Rimless
- Seat Type** — Single Flap, Heavy Grade, Contrasting Grey with Lateral Stabilisers (PN5800)
- Surface Hygiene** — Easyclean Antibacterial protection
- P Trap** — 185mm height FFL
- S Trap** — 80 - 280mm using PN0030 connector (included)
- Water Inlet** — Back Inlet 775mm height FFL, Bottom Inlet L&R
- Compliance** — Can be installed to comply with AS1428.1-2009
Includes Raised Push Buttons with Tactile Indicators
- WELS** — 4 STAR 4.5/3L 3.5L Average Flush
- Warranty** — 10 Years (Conditions Apply)

PARISI



RIMLESS

