

Product

- Antilia wading pool glass countertop basin - Ice

Kohler Code

2369-B11



Tapware and Waste not included

Included Components

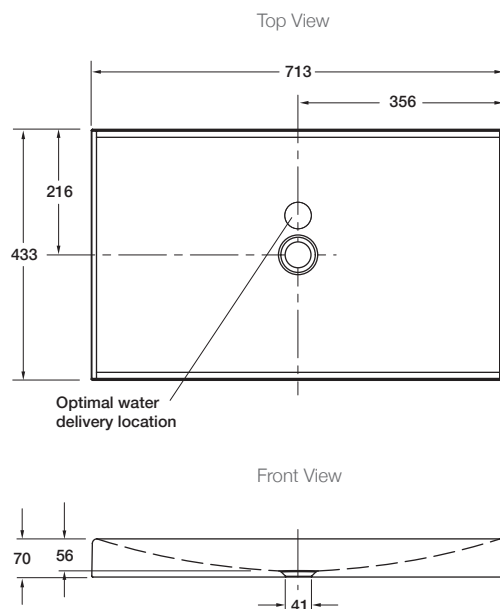
- Bench top cutting template

Features

- Bench top installation
- Glass

Optional Accessories

- Tapware
- Generic basin accessories

Technical Details

Vol: 4.4L

Installation Notes:

- Allow a minimum of 50mm from the wall for easy cleaning.
- A hole for the basin needs to be made in the bench top (please refer to cutting template).
- The basin is fixed to the bench top using the appropriate silicone sealant (not supplied).