

**Rainmaker Select**  
**Overhead shower 460 2jet EcoSmart 9 l/min with shower arm**  
 Finish: **White/Chrome** Article Number: **24015400**



### Description

#### product features

- consists of: overhead shower, shower arm
- shower head size: 466 x 300 mm
- spray type: Rain, RainStream
- material spray disc: plexiglas
- spray disc surface: easy cleanable spray disc in glass optics
- shower arm length 461 mm
- maximum flow rate at 3 bar: 9 l/min
- flow rate Rain spray (at 3 bar): 9 l/min
- flow rate RainStream spray (at 3 bar): 9 l/min
- minimum flow pressure: 3 bar
- spray disc removable for cleaning
- overhead shower removable for cleaning
- installation: wall-mounted - based on iBox
- connection dimension: DN15
- connection type: basic set
- not suitable for continuous flow water heaters

### Technology



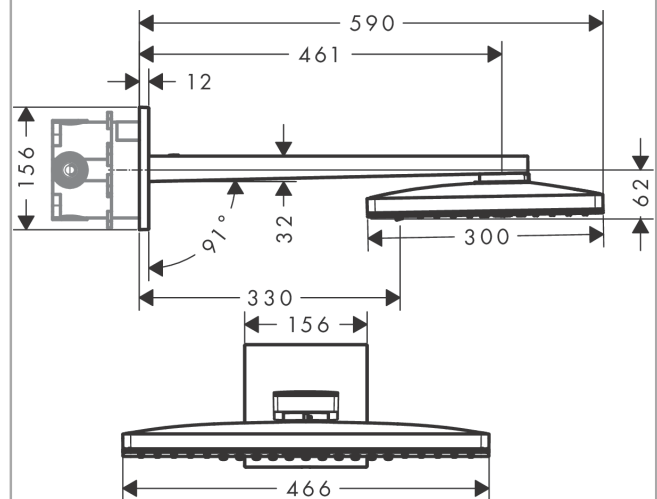
### Certificates



### Product image



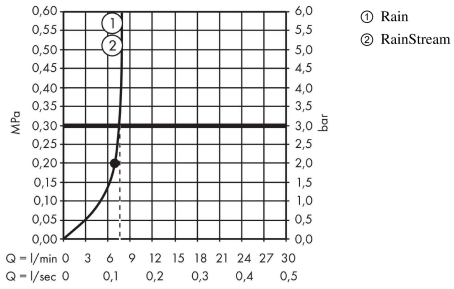
### Scale drawing



**Rainmaker Select**  
**Overhead shower 460 2jet EcoSmart 9 l/min with shower arm**  
 Finish: **White/Chrome** Article Number: **24015400**



**Flowchart**

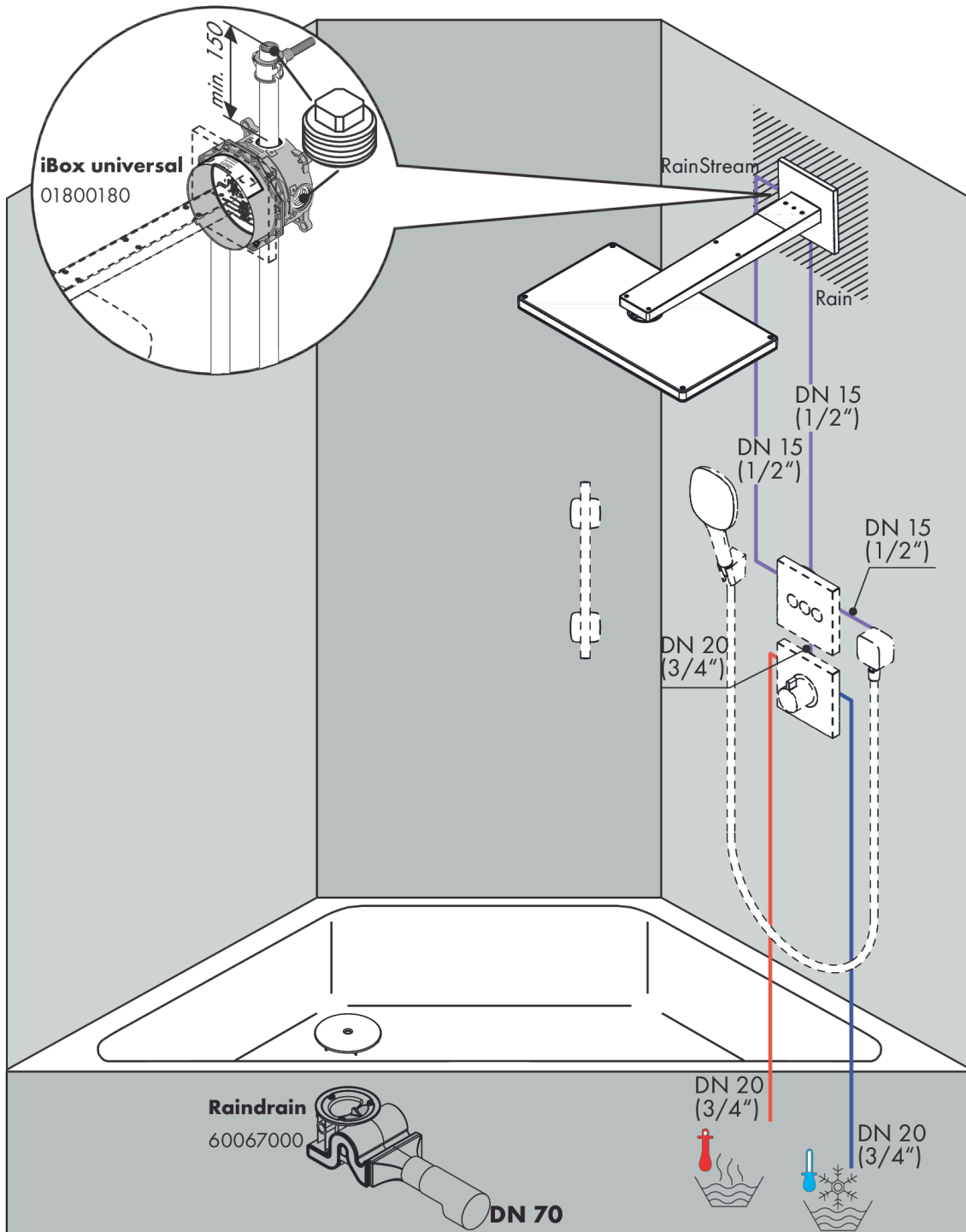


The consumption was measured in combination with the appropriate fittings (thermostat/mixer/in-wall valve) to reflect actual application in practice.

**Rainmaker Select**  
**Overhead shower 460 2jet EcoSmart 9 l/min with shower arm**  
 Finish: **White/Chrome** Article Number: **24015400**



Installation examples



**iBox universal**

**Basic set**

Finish: Article Number: **01800180**



**Description**

**product features**

- suitable for all shower, bath tub and thermostat finish sets for concealed installation
- connection thread Rp 3/4
- connection dimension: DN20
- rotationally-symmetric installation
- sound-decoupled installation
- minimum mounting depth: 80 mm
- maximum mounting depth: 108 mm

**Certificates / Sustainability**



**Product image**



**Scale drawing**

