

Raindance

Overhead shower 260/260 1jet EcoSmart 9 l/min

Finish: **Chrome** Article Number: **26481000**



Description

product features

- shower head size: 260 x 260 mm
- spray type: RainAir
- material spray disc: metal
- maximum flow rate at 3 bar: 9 l/min
- flow rate RainAir spray (at 3 bar): 8 l/min
- minimum flow pressure: 1,2 bar
- spray disc removable for cleaning
- installation: flush with the ceiling
- connection thread G ½
- connection dimension: DN15
- suitable for continuous flow water heaters

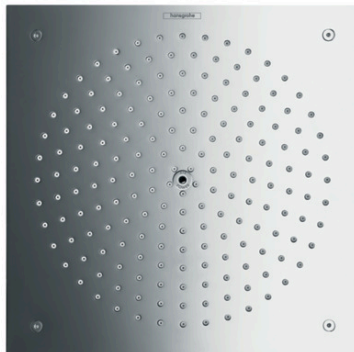
Technology



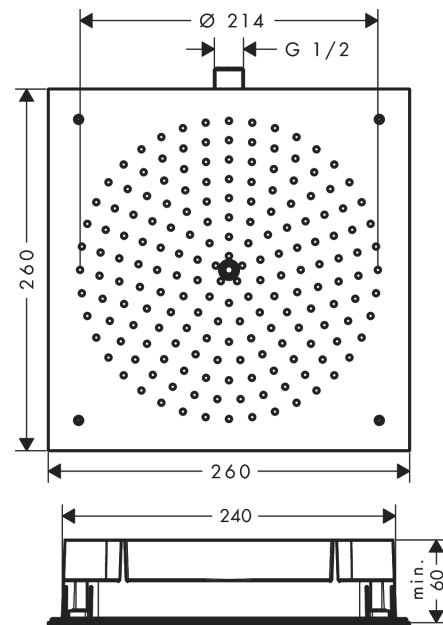
Certificates



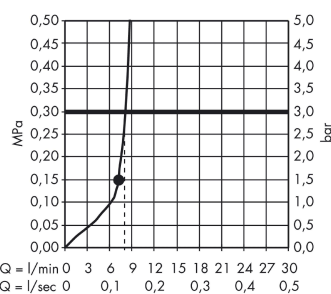
Product image



Scale drawing



Flowchart



The consumption was measured in combination with the appropriate fittings (thermostat/mixer/ in-wall valve) to reflect actual application in practice.

Raindance

Basic set for overhead shower 260/260 1jet

Finish: Article Number: **26471180**



Description

product features

- minimum mounting depth: 60 mm
- maximum mounting depth: 80 mm
- connection dimension: G ½

Certificates / Sustainability



Product image



Scale drawing

