
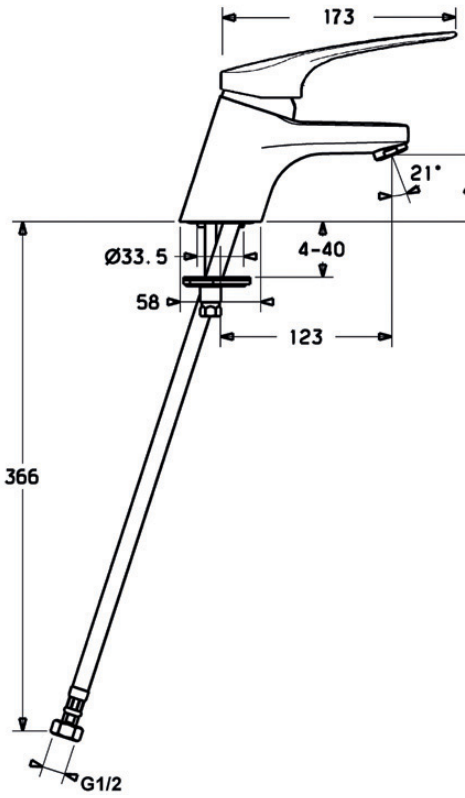




HANSAMEDICA PRADO BASIN MIXER

Product Image	Technical Specification
	

Description	
HansaMedica Prado Basin Mixer	
014222760037	WELS 5 Star / 6Lpm
014222460037	WELS 6 Star / 4.5Lpm

Additional Information	
<ul style="list-style-type: none"> - 15 year Warranty* Conditions Apply - German Engineered - 46mm Cartridge - Flexible 1/2" Tails - 173mm Lever 	
