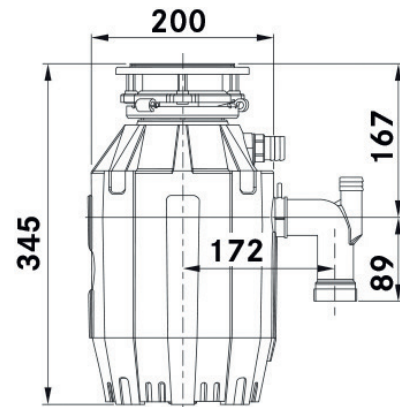


WASTE DISPOSER

TE-50



PRODUCT INFORMATION

Unit Weight	5.93 Kg
Mount Assembly	3 Bolt
Horse Power	1/2 HP
Motor Speed (RPM)	2600
Voltage	220-240V
Cycles	50/60
Motor Type	Permanant Magnet
Bearings	Permanently Lubricated, Sleeve Type
Splash Guard	Removeable
Grind Ring	Stainless Steel
Sink Flange	Stainless Steel
Balanced Turntable	Stainless Steel
Appliance Protector	Manual Reset
Sound Shell	Full
Dishwasher Connection	Yes
Air Switch	Yes
Attached Power Cord	Yes
Warranty	5 Years

PLEASE NOTE: Technical and product specifications may change, therefore we recommend cut-outs for appliances should only be by physical product measurements. The above information is indicative only.

LAST UPDATED: 20 SEPTEMBER 2021

FRANKE