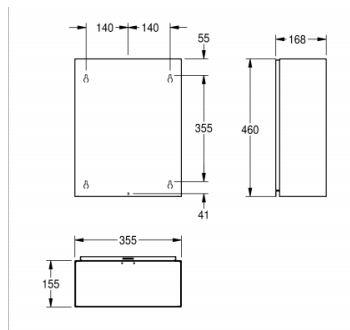


WASTE BIN

RODX605 | 2000090061

ARTICLE GROUP (AG) : **RODX605++** | ARTICLE FAMILY (AF) : **Waste bin** | PRODUCT GROUP (PG) : **Accessories** |
MODEL RANGE : **RODAN**



Waste bin for wall mounting, stainless steel, surface satin finished, material thickness 0.8 mm, rounded edges, mounting either with mounting bracket or directly onto the wall, incl. stainless steel screws and dowels.

capacity: approx. 23 liter

TECHNICAL DATA

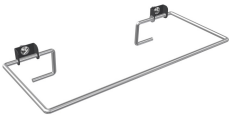
Bag Holder	NO
Filling Volume	23.00 l
Gross Weight	4.90 kg
Lid	NO
Lock	NO-LOCK
Material	STAINLESS-STEEL
Material Code	1.4301
Material Thickness	0.80 mm
Net Weight	4.50 kg
Overall Depth	168.00 mm
Overall Height	460.00 mm
Overall Width	355.00 mm
Surface Finish	SATIN-FINISHED
Type Of Fixing	SCREW
Type Of Mounting	WALL-MOUNTING

WASTE BIN

RODX605 | 2000090061

ARTICLE GROUP (AG) : **RODX605++** | ARTICLE FAMILY (AF) : **Waste bin** | PRODUCT GROUP (PG) : **Accessories** |
MODEL RANGE : **RODAN**

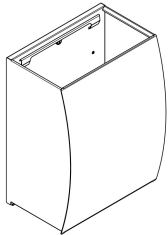
ACCESSORIES



BAG HOLDER

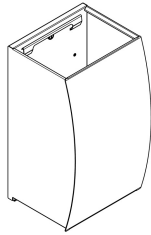
2030022424

SIMILAR PARTS



WASTE BIN

2000057230



WASTE BIN

2000057228
