

MARIS

MRG210-72



MRG210-72 MB



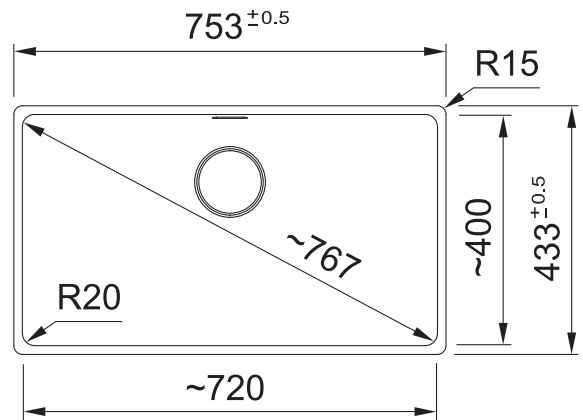
MRG210-72 ON



MRG210-72 PW



MRG210-72 SG



PRODUCT INFORMATION

Installation	Flushmount
Dimensions	753 x 433mm
Cabinet Base	800mm
Bowl Size	720 x 400 x 200mm / 57L
Bowl Radius	20mm
Cut-Out Size	Template
Cut-Out Template	Yes
Waste Outlet	Semi Integrated Waste
Overflow	Hidden
Tap Holes	No
Remote Waste	No
Finish	Fragranite
Warranty	50 Years

NOTE: Cut-out dimensions are a guide only, please use the actual sink as your template.

FEATURES & BENEFITS



Food Preparation Centre



Fragranite



Hidden Overflow



Sanitized@ Surface

ALL-IN ACCESSORIES (AVAILABLE)

PACK 1

- Telescopic Bridge
- Chopping Board
- Small Strainer Bowl
- Small Storage Box
- Bamboo Lid

PACK 2

- All Accessories Included In Pack 1
- Silicon Drainer Mat

PACK 3

- All Accessories Included In Pack 2
- Large Strainer Bowl
- Storage Container

ADDITIONAL ACCESSORIES

— Included Accessory
 - - - Available Accessory



DT651
Extension Drainer



DB448
Drainer Basket



RM44
Rollamat

BARE SINK OPTION AND SOME SINK & TAP PACKAGES DO NOT INCLUDE ACCESSORIES. PLEASE CHAT TO YOUR SALES CONSULTANT FOR FURTHER INFORMATION.