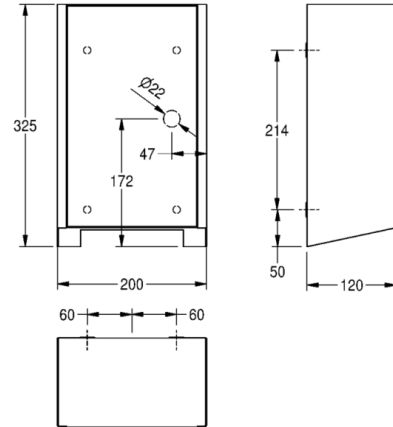


EXOS. Hand dryer

MODEL RANGE: EXOS | EXOS220B | 2030034622

Hand and hair dryers | Hand dryers



Hand dryer for wall mounting, stainless steel with satin-finish, black safety glass front panel and casing with InoxPlus surface refinement for the reduction of finger marks and better cleaning characteristics (easy to clean), material thickness 1.2 mm, with contactless opto-electronic sensor for touch-free operation, adjustable hot air temperature, sensor range adjustable from 10 to 25 cm, protection from continuous operation with automatic switch-off after 60 seconds, air speed adjustable, cable and plug not included.

Operating voltage 220-240V AC, 50-60 Hz

Total power 800-1000 W

Heater 500 W

Motor 500 W

Air volume 80 m³/h

Air velocity 95 - 115 m/s

Dimensions 200 x 325 x 120 mm (W x H x D)

Technical data

Material thickness	1.20 mm
Overall depth	120.00 mm
Overall height	325.00 mm
Overall width	200.00 mm
Material	Stainless steel
Material code	1.4301 Chrome Nickel steel V2A
Tailor made	No
Type of fixing	Screw
Type of operation	Sensor operation
Air velocity	Adjustable
Protective system IP	IPX1
Surface treatment	InoxPlus (anti fingerprint)
Blower output	80.00 cubic metres per hour
Input supply voltage Hz	50.00 hertz
Input supply voltage V	220.00 volt
Heating power	500.00 watt
Motor power	500.00 watt
Total power	1,000.00 watt
Sound level	76.20 dB

KWC. The new name of Franke Water Systems

EXOS. Hand dryer

MODEL RANGE: EXOS | EXOS220B | 2030034622

Hand and hair dryers | Hand dryers

Accessory Optional



Interchangeable front panels for EXOS.
hand dryers

2030035358

ZEXOS220



EXOS. front cover with white safety
glass panel

2030035360

ZEXOS220W

Spare Parts



EXOS. front cover with black safety
glass panel

2030035359

ZEXOS220B

KWC. The new
name of Franke
Water Systems