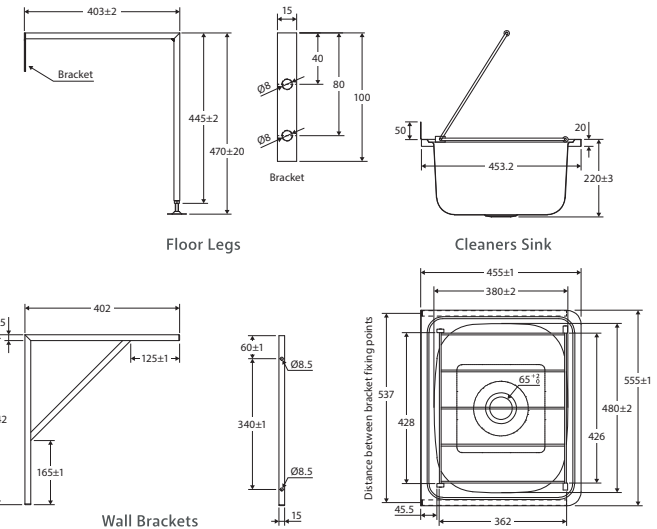


Cleaners Sink

Features

- Designed for commercial use
- Made from polished 304 stainless steel
- Includes flip-up grate for easy cleaning and draining
- Requires basket waste (not included; item code: A5)
- Can be installed with floor legs, wall brackets, or into a benchtop surface
- Sealing tape and mounting clips included
- Capacity: 35L
- Overall size: 555 L x 455 W x 220 D mm



Available in



Sink Only
68800



Sink with
Floor Legs Kit
68800F



Sink with
Wall Brackets Kit
68800W

Cleaning & Care

- Dry off any water droplets after use with a clean dry cloth.
- Once a week use a detergent mixed with a small amount of ammonia and rub gently with a soft cloth. Rinse thoroughly with cold water after cleaning, then dry with a clean cloth.
- Do not use steel wool, abrasive cleansers or cleaning pads to clean your sink.
- Do not use chemical "silver cleaners", bleaches, or detergents containing chlorine or any of its derivatives.

While we aim to ensure specifications are correct at the time of publication, Fienza reserves the right to make modifications without prior notice. Physical colour may vary from image shown. All measurements are shown in millimetres. Always use physical product measurements for mark-ups and roughing-in as the technical drawing may differ from actual product received.