

Products Warranty - Australia

For warranty details see our website:

<https://www.faucetstrommen.com.au/warranty/>

Installation Guide **IG 003**

Release Date: 13.12.22



Wall Mixers, Down Handle

Suits Models:

30567 33717 33849 33710 33833 33841 35103 35129

Important requirements:



Must be fitted in accordance with AS/NZS 3500 by qualified plumber



Mains 500kpa regulator must be fitted



Maximum hot water temp. 65°C



Water lines must be flushed prior to connection



Only clean municipal water supply. No bore, dam or hard water without filtration & treatment

Cleaning

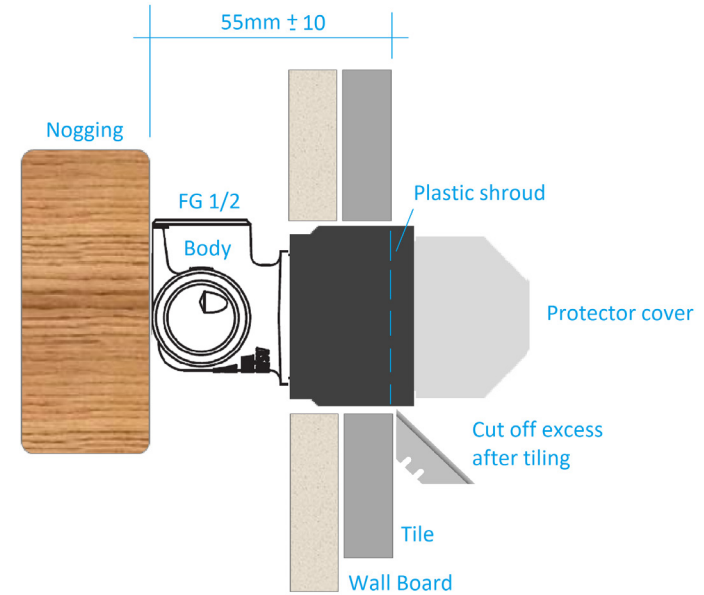
Clean only with a soft microfiber or similar cloth and warm clean water. Ensure that the cloth is clean and free of any grit or chemical. Dry tap off with a soft clean cloth. Ensure that your tap is not subject to any chemicals, building grit or any type of abrasive or polish. For care of special finishes please visit our website.

Maintenance

Aerators may need to be flushed from time to time if flow diminishes or stream pattern deteriorates. For Pegasi & Cascade mixers, use the aerator key provided to unscrew the aerator. You will notice a "castle" pattern around the edge of the aerator, the key engages with this allowing you to unscrew the insert easily. For Zeos models, use the aerator key to unscrew the aerator housing, you will then be able to pop the insert out the top of the housing. Rinse off the upper face of the insert with running water and gently brush clean with an old toothbrush to remove any debris before refitting the aerator.

Rough in:

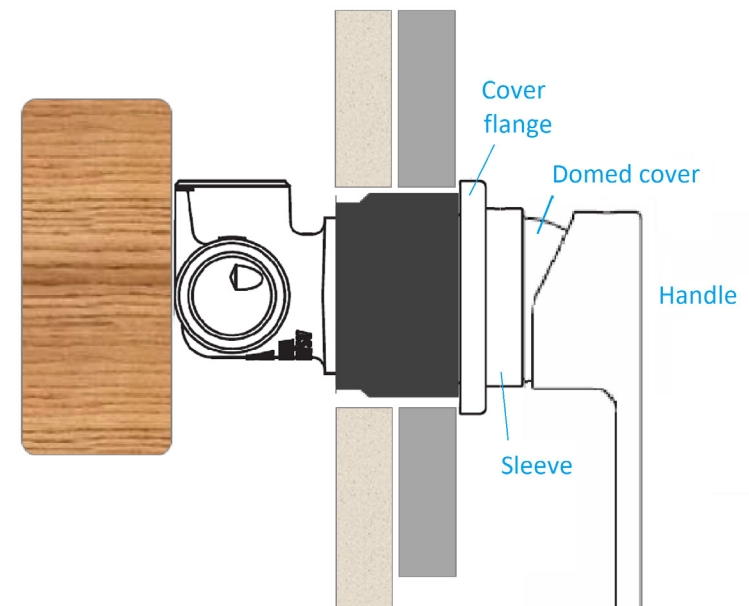
1. Ensure that the in-wall depth is correct. It is advisable to get the depth as accurate as possible at rough in so that you don't run out of adjustment at fit off. Position the noggin such that the front face of the noggin is **55mm from the front face of the finished tiled surface**. Take into account the thickness of the tiles, tile glue, plasterboard etc.
2. Connect the Hot supply to the left side inlet marked "H" and the Cold supply to the right side Inlet marked "C"
3. Fix the mixer body to the stud ensuring that the outlet is facing up.
4. Do not remove the info tag that is attached to the body, this should remain attached at all times.
5. Once plumbing is connected pressure test the system. **Do not exceed 500kpa pressure testing** whether dynamic or static. Testing over 500 kpa will void the warranty for this product.
6. A PVC protector cover is fitted over the mixer body to protect it from scratching. Keep this place at all times, remove only for testing operation.
7. Once wall sheeting is complete apply waterproofing membrane up to the black plastic shroud.
8. When tiling, note the size of the flange and make sure that tiling is cut close so that the flange covers the tile hole.
9. Once tiling and grouting are complete remove the translucent pvc protector cover, use a box cutter or sharp chisel to carefully cut away what is protruding of the black plastic shroud, then replace the protective cover until fit off stage.
10. Note that the Rough in kit does not contain and decorative components as these are all in the fit off kit.



Fitting Off:

Fit off is done after tiling and grouting are complete.

1. Ensure that the area around the tap is clean and free from grout lumps, tile glue or sealant.
2. Remove the plastic protector cover from the tap and ensure that there is no tile glue or deposit on the brass cylinder or thread.
3. Wipe the cylinder clean of dust & grit
4. Unwrap the decorative sleeve and note the internal bore has a small clearance step on one side
5. Moisten this clearance step, then slide the sleeve over the wall mixer with the clearance step to the back. Press this sleeve on firmly and rotate gently until it is fitted all the way on and flush with the front of the brass cylinder.
6. Screw the domed shape cover onto the mixer until it is firmly up against the sleeve
7. Unwrap the cover flange, moisten the inside O-ring and push this flange over the sleeve up against the tiles being careful to keep it straight so it does not scratch the sleeve. Do not glue or silicone the flange to the tiles.
8. Fit the handle to the mixer. The handle faces down and pushes over the square valve stem. Once in place fasten using the 2.5mm Allen key to tighten the grub screw under the handle.
9. For Cascade model, once handle is fastened, screw in the handle pin firmly



Run the tap and check all operation is correct. If there are any issues, please contact Faucet Strommen before leaving the site