

## Products Warranty - Australia

For warranty details see our website:

<https://www.faucetstrommen.com.au/warranty/>

# Installation Guide **IG 038**

Release Date: 02.06.23

## Clasps and Over glass fitting



### Suits Models:

34412, 34413, 34414, 34415

### Important requirements:

- Must be installed by a suitably qualified glazier
- Note requirements for glass thickness / range applicable to each model
- Follow the instructions below to avoid damaged products:

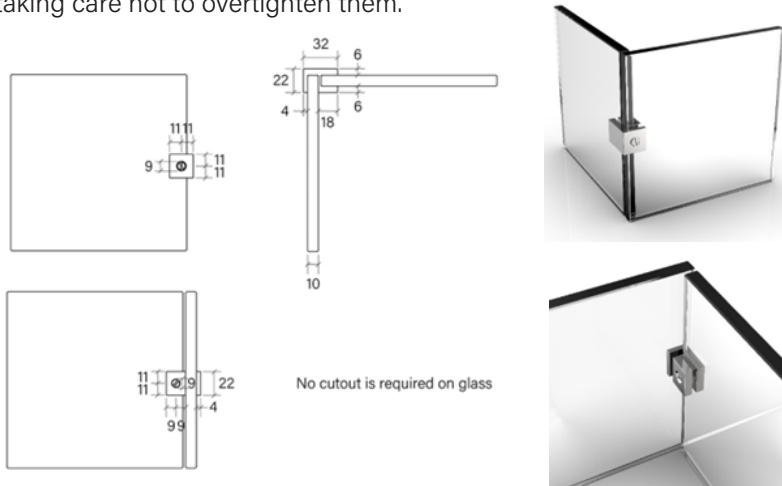
### Cleaning

Clean only with a soft microfiber or similar cloth and warm clean water. Ensure that the cloth is clean and free of any grit or chemical. Dry product off with a soft clean cloth. Ensure that your product is not subject to any chemicals, building grit or any type of abrasive or polish. For care of special finishes please visit our website.

## Installation

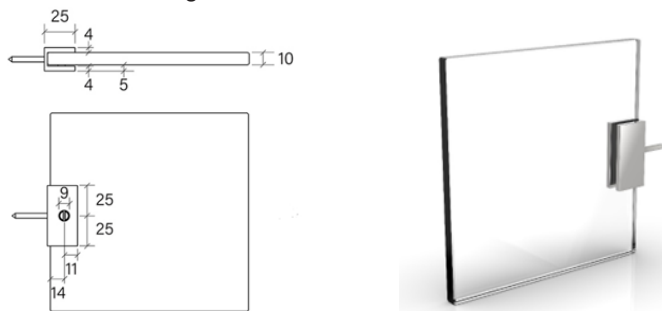
### 34412 Over-panel fitting, Glass-to-glass Square

- Note: This product is only suitable for use on 10mm glass panels. No cut-outs are required in the glass.
- Install the fitting(s) over the glass side panel and return panel as shown in the drawings, ensuring the glass is pushed up against the end of the slot.
- Using a large flat-end screwdriver, tighten both screws against the glass taking care not to overtighten them.



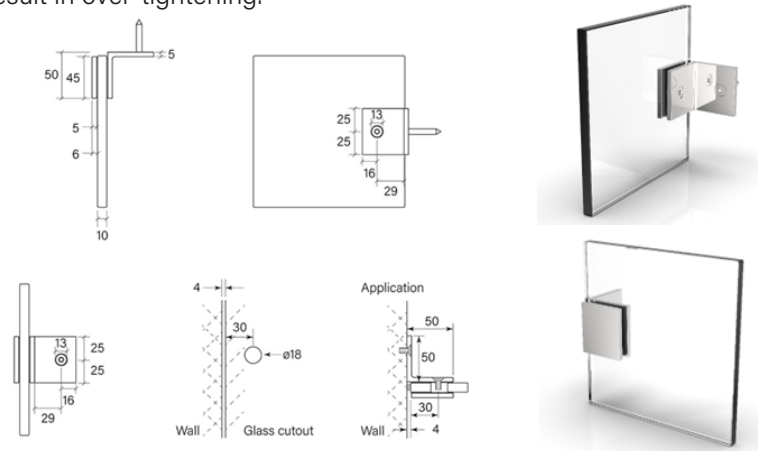
### 34413 U-bracket, Glass-to-wall

- Note: This product is only suitable for use on 10mm glass panels. No cut-outs are required in the glass.
- Select appropriate place to drill through the tiles to attach the bracket: refer to diagram below.
- Drill into tiles and attach the bracket. A wall plug is provided for masonry fixing. If screwing into timber noggings, drill a 3.0mm pilot hole. Take care when tightening the screw to avoid damage to the screw head as it is made from softer corrosion-resistant materials.
- Install the glass into the bracket, ensuring the glass is pushed up against the end of the slot.
- Using a large flat-end screwdriver, tighten the screw against the glass taking care not to overtighten it.



### 34414 Shower bracket, Glass-to-wall, 90-degree

- Note: This product is only suitable for use on 10mm glass panels. Ensure the hole cut-out in the glass is the correct size and position as shown in the drawings.
- Select appropriate place to drill through the tiles to attach the bracket: refer to diagram below.
- Drill into tiles and attach the bracket. A wall plug is provided for masonry fixing. If screwing into timber noggings, drill a 5.0mm pilot hole. Take care when tightening the screw to avoid damage to the screw head as it is made from softer corrosion-resistant materials.
- Fit the glass panel up against the bracket and attach the clamp plate, ensuring the plastic ring and the two seals are in place to avoid direct metal-to-glass contact.
- Thread in the screw and hand tighten using the 4mm Allen key provided. It is important that the screw is not over-tightened (5Nm maximum torque). DO NOT fasten the screw using an impact driver or a long arm Allen key as this can easily result in over-tightening.



### 34415 Doorknob

- Note: This product is suitable for use on 6, 8, 10, and 12mm glass doors. Ensure the hole cut-out in the glass is the correct size and position as shown in the drawings.
- Screw the threaded rod into one of the knobs, then install the assembly onto the door ensuring the plastic ring and the two seals are in place to avoid direct metal-to-glass contact.
- Using a rubber glove, tighten both knobs together firmly.

