

# SensoWash i PLUS - Stainless Panel

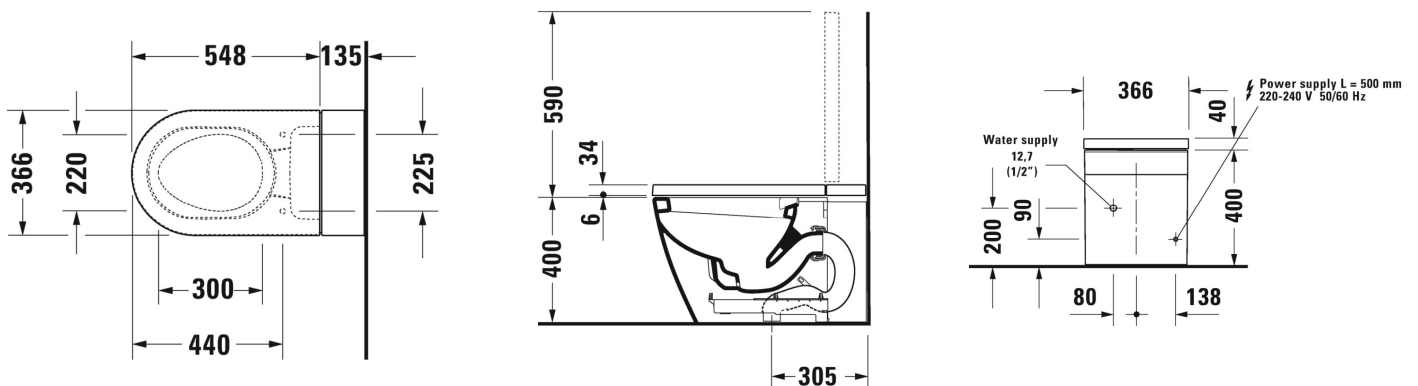
CODE: D810000X



## Product Information

<b>Dimensions</b>	683 x 366mm	<b>Collection</b>	SensoWash
<b>Weight</b>	36kg	<b>Designer</b>	Philippe Starck
<b>Colour</b>	White / Stainless	<b>Warranty</b>	2 Years (Conditions Apply)

## Technical Diagrams



# SensoWash i PLUS

CODE: D810000W / D810000X

## Features & Benefits

---

- Rear & front and oscillating wash
- Seat heating
- Intelligent energy saving mode
- Warm air dryer
- Individual adjustment of water
- Air and seat surface temperature adjustment
- Adjustable nozzle position and jet strength
- Automatic drainage in periods of prolonged disuse
- Descaling function
- Night light
- Rimless flush
- Self-cleaning wand
- Stainless steel nozzles
- Instant water heating system
- Easy installation
- Remote control included
- Bluetooth App operation
- Wall-mountable holder
- Seat/lid material thermoplastic
- Hygiene Glaze 2.0
- Concealed connection