

MINTORI

Made in Australia

FREESTANDING SPA BATH - Premium Sanitary Grade Acrylic, High Gloss White

The Mintori's freestanding design can be freely located, taps can be fitted to the bath rim & removable panels (using a patented magnetic system) create access for easier installation & cleaning. Centre waste position.

- ✓ Adjustable self-supporting feet
- ✓ Lumbar support
- ✓ Suitable for dual bathing
- ✓ Removable side panels



MINTORI CONTOUR SPA BATH ●● 14 JETS

SIZE (l) x (w) x (d) mm	CAPACITY*	NET WEIGHT	CODE
1790 x 900 x 595-630*	190L	85kg	MI1800FSCNSPAWC

- *Height adjustable
- 10 YR WARRANTY* - SPA SHELL
- 5 YR WARRANTY* - PUMP, JETS & FITTINGS
- AS/NZ Standard AS2023/1995
- Steel rod reinforced rim
- 6 x flush C-Lenda™ centro jets
- 8 x flush C-Lenda™ mini jets
- 2 x flush C-Lenda™ air controls
- 1 x flush C-Lenda™ suction
- 1 x Sensa-Touch pad control (rim mounted)
- 750 watt 3-stage heat boost pump



MINTORI DOLCE VITA SPA BATH ●●● 18 JETS

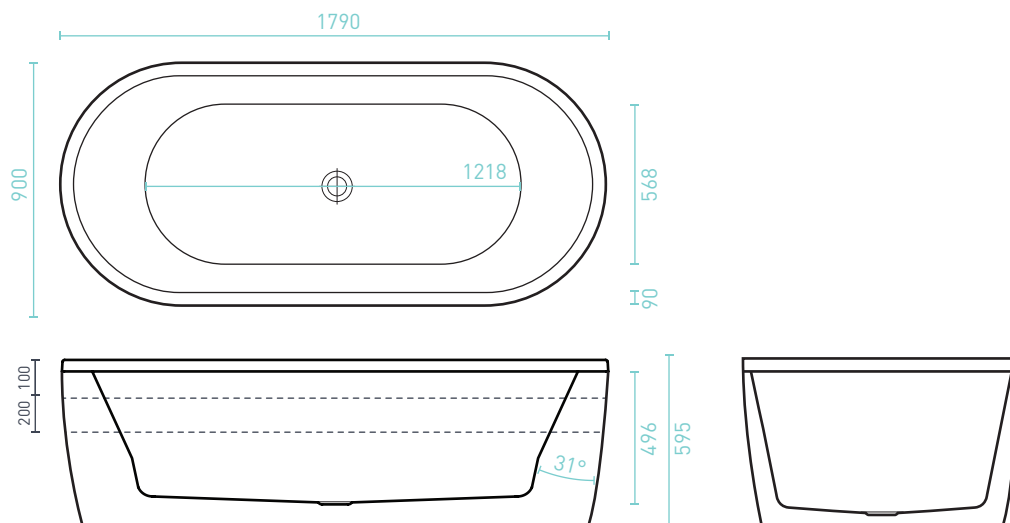
SIZE (l) x (w) x (d) mm	CAPACITY*	NET WEIGHT	CODE
1790 x 900 x 595-630*	190L	90kg	MI1800FSDVSPAWC

- *Height adjustable
- 10 YR WARRANTY* - SPA SHELL
- 5 YR WARRANTY* - PUMP, JETS & FITTINGS
- AS/NZ Standard AS2023/1995
- Steel rod reinforced rim
- 6 x adjustable flush C-Lenda™ centro jets
- 12 x adjustable flush C-Lenda™ mini jets
- 2 x flush C-Lenda™ air controls
- 1 x flush C-Lenda™ suction
- Spa Key remote control
- 1100 watt spa key heat boost pump

Available with Chrome, White or Black jets



MINTORI ACCESSORIES	CONTOUR SPA BATH	DOLCE VITA SPA BATH
Sienna Headrests Black/White	✓ x 2	✓ x 2
Overflow	Optional	Optional
Plug & Waste	Optional	Optional



*Capacity 200mm below the bath rim

MINTORI

FREESTANDING SPA BATH - Premium Sanitary Grade Acrylic, High Gloss White

SPA BATH ORDER FORM

Spa baths made to order on receipt of order form. Please allow 15 working days for completion & dispatch.
We recommend filling out your SPA BATH ORDER FORM with your qualified spa bath installer.

COMPANY & BRANCH: _____ PHONE NO: _____

CONTACT: _____ ORDER NO: _____ DATE: _____

MODEL: _____ SIZE: _____ QTY: _____ RANGE SANTA CONTOUR DOLCE VITA

SANTA SPA BATH UPGRADE OPTIONS

~~PUMP UPGRADE~~ - Manual Xtra-Heat Boost Pump (RRP \$215) ~~PUMP UPGRADE~~ - Sensa-Touch Pad Control 3-Stage Heat (RRP \$425)

~~EZ FRAME~~ - Supplied Factory Fitted ~~BASE SUPPORT FRAME~~ - Factory Fitted Overflow

~~HEADRESTS~~ - White QTY: _____ Black QTY: _____ (RRP \$99 each)

CONTOUR SPA BATH UPGRADE OPTIONS

~~EZ FRAME~~ - Supplied Factory Fitted ~~BASE SUPPORT FRAME~~ - Factory Fitted Overflow

~~HEADREST COLOUR~~ - White Black

DOLCE VITA SPA BATH OPTIONS

~~JET COLOUR~~ - Chrome White Black



~~HEADREST COLOUR~~ - White Black

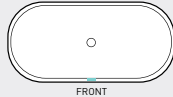
SPA PUMP NOTES

1. The Spa Pump fits directly underneath the baths perimeter
2. The Spa Pump should be easily accessible for maintenance
3. Waste positions can not be changed
4. The Spa Pump controls will always be at the front, unless indicated below

PLEASE INDICATE ON THE DIAGRAMS BELOW: (please refer to the technical drawings before choosing your pump position)

SHOWER HEAD POSITION (if applicable)

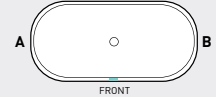
The Spa Pump controls CAN NOT be on the same end as the shower head.



SPA PUMP POSITION (300mm of pipework is supplied)

The recommended max. distance between the bath & spa pump is 1.2 metres.

Is the distance between the bath and the spa pump over 300mm?
YES NO If YES how much extra pipework is required _____



CUSTOMER NAME: _____ CUSTOMER SIGNATURE: _____

CUSTOMER EMAIL: _____ CUSTOMER PHONE NO: _____

*Whilst every effort is made to adhere to published jet & fittings positions, variation to specifications may occur without notice.