

ALEGRA

BACK-TO-WALL FREESTANDING BATH WITH TILE BEAD - Premium Sanitary Grade Acrylic, High Gloss White & High Gloss Black/White

The Alegra's beautiful curved edges & one sided tile bead design allows it to be integrated into the wall, achieving a water tight seal around the bath rim. One of Decina's TOP SELLERS, this design is now available in a contrasting black & white finish. Centre waste position.

- ✓ Adjustable self-supporting feet
- ✓ Lumbar support
- ✓ Suitable for dual bathing
- ✓ Internal steel support frame



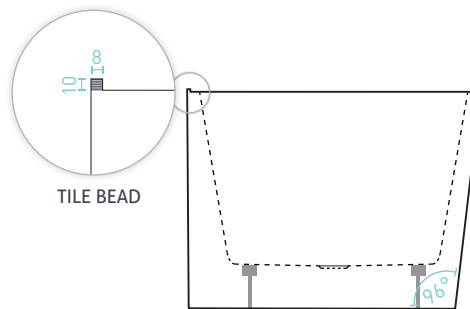
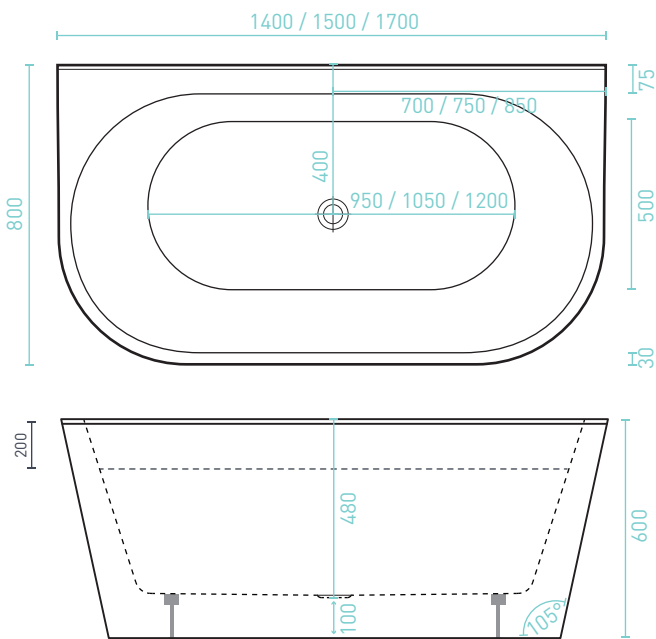
SIZE (l) x (w) x (d) mm	CAPACITY*	NET WEIGHT	CODE
1400 x 800 x 600	135L	55kg	AG1400W White
1500 x 800 x 600	162L	60kg	AG1500W White
1700 x 800 x 600	175L	65kg	AG1700W White
1700 x 800 x 600	175L	65kg	AG1700B Black/White



- 10 YR WARRANTY*
- AS/NZ Standard 2023/1995



ALEGRA ACCESSORIES	BATH
Overflow	Optional
Plug & Waste	Optional



*Capacity 200mm below the bath rim