

Brodware

1.XX08.XX Floor Mounted Mixer Installation Guide

Concrete Floor Installation

Vogue Spas & Bathrooms



Preparation for Existing Concrete Floor

- 1) Cut a 350mm x 350mm section in the slab in the location where the floor mount mixer is to be installed.
- 2) Remove the cut out. Secure lower section of cut out area with tie rods, and pour concrete to create a step down **67mm from top of the finished tile face** (Fig .C)
- 3) Chase your hot and cold water lines into the concrete.

Preparation for New Concrete Floor

- 1) Calculate tile and glue thickness and set up for a **67mm step down from tile face**, in the location that the floor mounted mixer is to be installed. Ensure this is level.
- 2) The recess area is to be a minimum of 200mm x 300mm.

Plumbing Rough In Process

- 1) Screw the testing plugs into the top hot and cold ports on the in-floor body (Fig. A)
- 2) Remove the base plate from the in-floor body. Screw the hot and cold water feed elbows (not supplied) into the in-floor body, and connect your plumbing (Fig. B). Refit the base plate to the in-floor body.
- 3) Loosely secure the in-floor body onto the recessed area, in its installation position with secure fittings (not supplied).NOTE: "Front" marking on body to face the bath location.
- 4) Pressure test the hot and cold water feeds. Check for leaks (refer to AS3500)
- 5) Tighten the secure fittings to lock the in-floor body into final position.Ensure the body is fastened firmly.
- 6) Fill the recessed area and chased cut outs for water lines with mortar mix.
- 7) Fill any gaps between the concrete and the in-floor body with sealant (Fig. D)

Fit Off Process

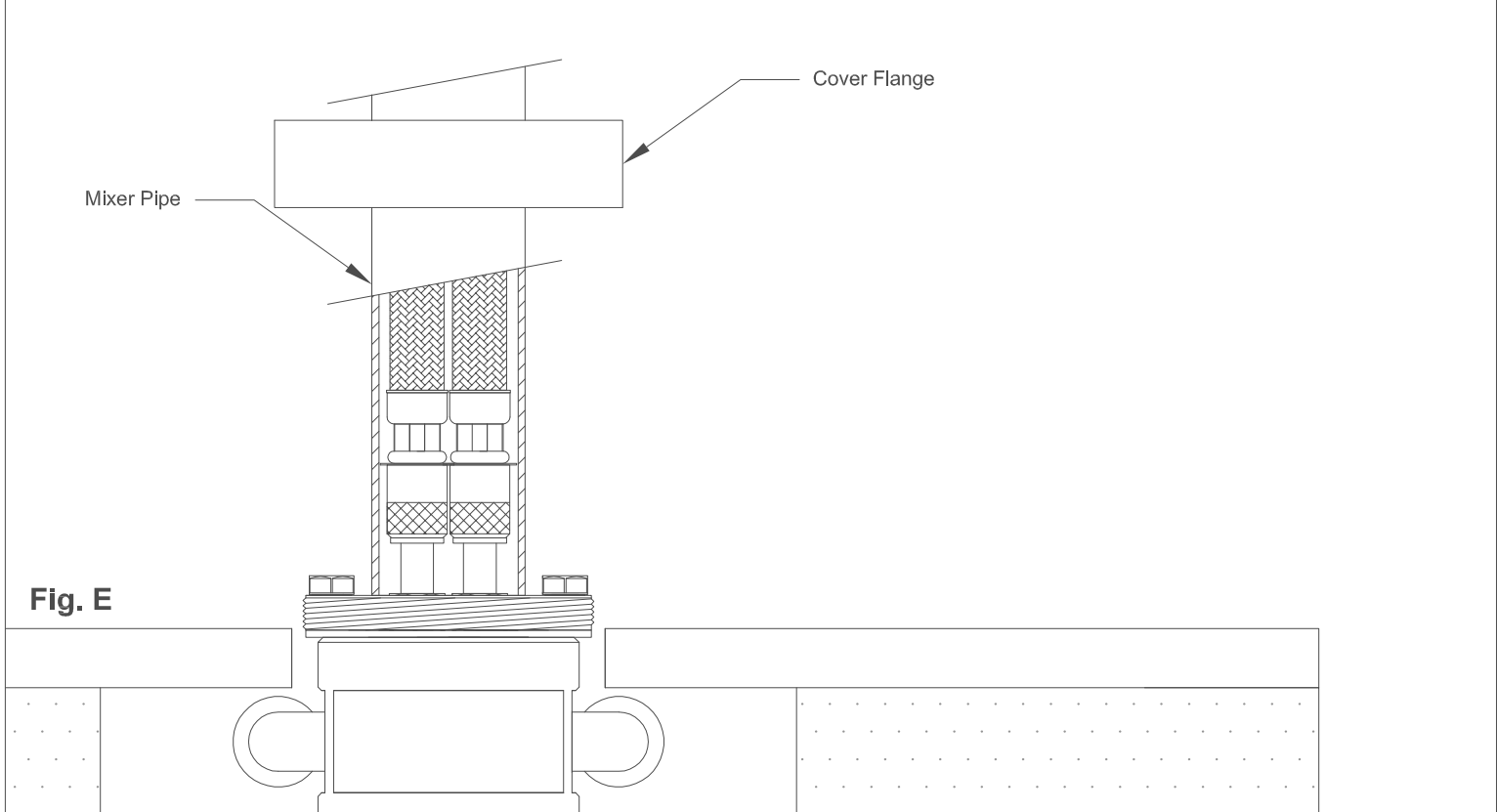
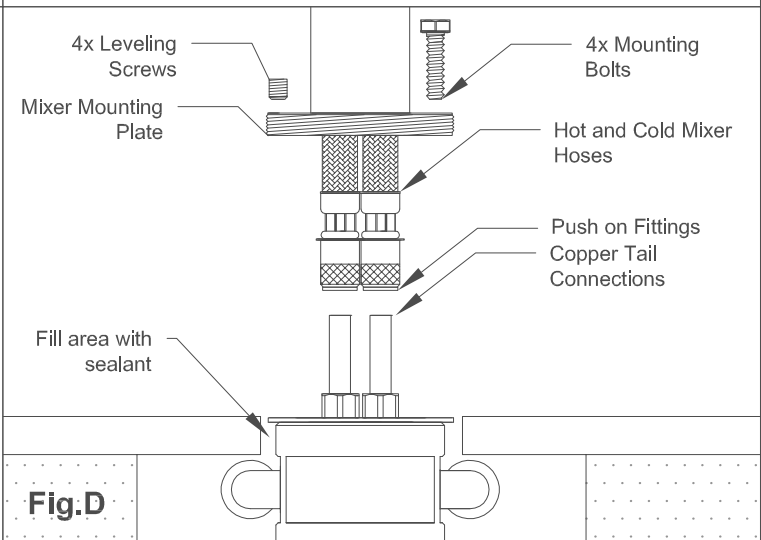
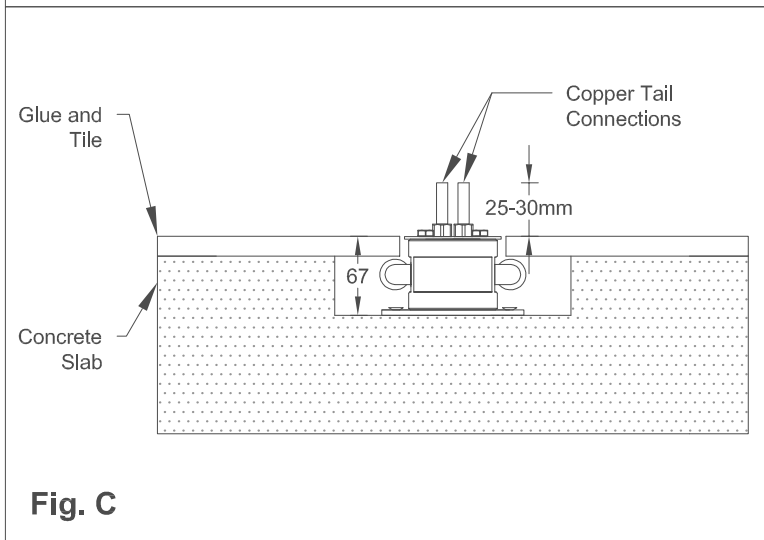
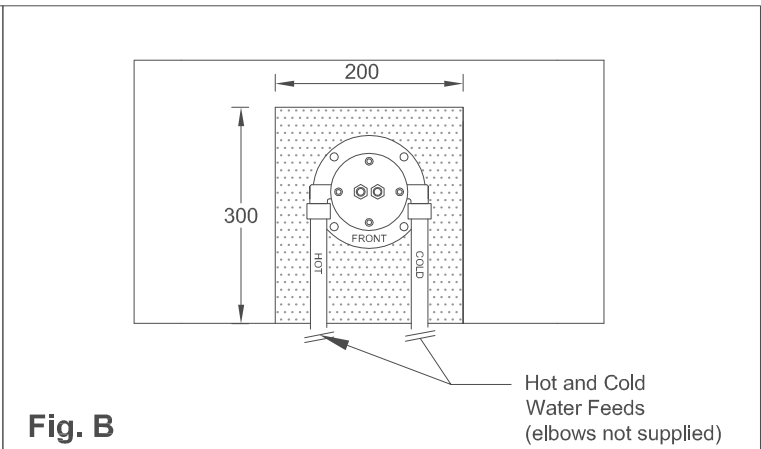
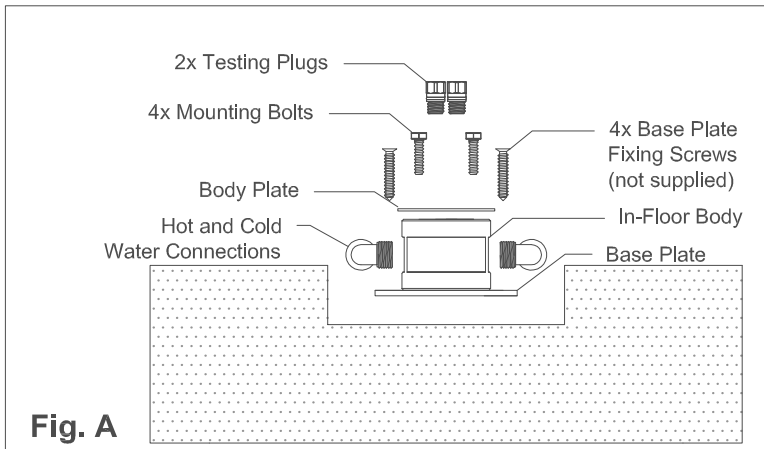
- 1) Once the final floor surface has been laid,ensure that the area around the in-floor body is completely sealed.
- 2) Carefully slide the cover flange onto the mixer pipe. Screw the mixer mounting plate to the bottom of the mixer pipe.
- 3) Unscrew the testing plugs from the in-floor body. Screw in the copper tail connections. Check that the copper is round and straight (**Do not use the copper if it is bent or out of shape. Call Brodware for replacements before proceeding further.**) (Fig. D). Ensure that the copper connections are 25-30mm above the finished tile floor. If they are higher than this, unscrew them from the body, and cut down with tube cutters. **Ensure its a clean cut, with no burs. Burs on the copper will damage the o-ring seal inside the push on fitting, and cause a leak.**
- 4) Remove the mounting bolts from the in-floor body. Holding the mixer assemble in position, push the push on fittings from the mixer hoses onto the copper tails on the in-floor body. Ensure they are entirely on the copper for a proper connection.Check for leaks between the copper and the mixer hoses.
- 5) Loosely secure the mixer assembly onto the top of in-floor body with the 4x mounting bolts. Correctly position the mixer assembly, and tighten the mounting bolts. Check that the mixer is level. If need be, loosen the mounting bolts, and adjust with the leveling screws (Fig D).
- 6) Lower the the cover plate until it touches the floor, and screw down onto the mixer mounting plate (Fig. E).

NOT FOR INSTALLER:

- Ensure pressure is not in excess of 500kpa
- Install plumbing fixtures as per AS3500

Brodware

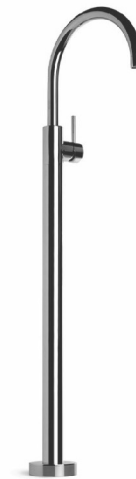
1.XX08.XX Floor Mounted Mixer - In Floor Body Concrete Floor Installation



Brodware

1.XX08.XX Floor Mounted Mixer Installation Guide

Timber Floor Installation



Rough In Process

- 1) Calculate thickness of the tile, glue, waterproofing and board, and install a noggin with a **step down of 67mm from finished tile face**, in the location where the mixer is to be installed (Fig. C)
- 2) Screw the test plugs into the top hot and cold ports on the in floor body (Fig. A)
- 3) Remove the base plate from the in-floor body. Screw your hot and cold water feed elbows (not supplied) into the in-floor body, and connect your plumbing (Fig. B). Refit the base plate to the in-floor body.
- 4) Loosely secure the in-floor body onto the noggin in its installation position with secure fittings (not supplied). NOTE: "Front" marking on body to face the bath location.
- 5) Pressure test the hot and cold water feeds. Check for leaks (refer to AS3500).
- 6) Tighten the secure fittings to lock the in-floor body into final position. Ensure the body is fastened firmly.
- 7) Waterproof up to the top side of the in-floor body (not above). Fill the recessed area with sealant (Fig. D)

Fit Off Process

- 1) Once the final floor surface has been laid, ensure that the area around the in-floor body is completely sealed.
- 2) Carefully slide the cover flange onto the mixer pipe. Screw the mixer mounting plate to the bottom of the mixer pipe.
- 3) Unscrew the testing plugs from the in-floor body. Screw in the copper tail connections. Check that the copper is round and straight (**Do not use the copper if it is bent or out of shape. Call Brodware for replacements before proceeding further.**) (Fig. D). Ensure that the copper connections are 25-30mm above the finished tile floor. If they are higher than this, unscrew them from the body, and cut down with tube cutters. **Ensure its a clean cut, with no burs. Burs on the copper will damage the o-ring seal inside the push on fitting, and cause a leak.**
- 4) Remove the mounting bolts from the in-floor body. Holding the mixer assembly in position, push the push on fittings from the mixer hoses onto the copper tails on the in-floor body. Ensure they are entirely on the copper for a proper connection. Check for leaks between the copper and the mixer hoses.
- 5) Loosely secure the mixer assembly onto the top of in-floor body with the 4x mounting bolts. Correctly position the mixer assembly, and tighten the mounting bolts. Check that the mixer is level. If need be, loosen the mounting bolts, and adjust with the leveling screws (Fig D).
- 6) Lower the the cover plate until it touches the floor, and screw down onto the mixer mounting plate (Fig. E).

NOTE FOR INSTALLER:

- Ensure pressure is not in excess of 500kpa
- Install plumbing fixtures as per AS3500

Brodware

1.XX08.XX Floor Mounted Mixer - In Floor Body Installation Wooden Floor Installation

