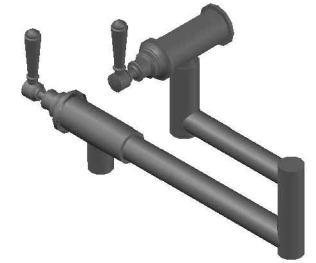


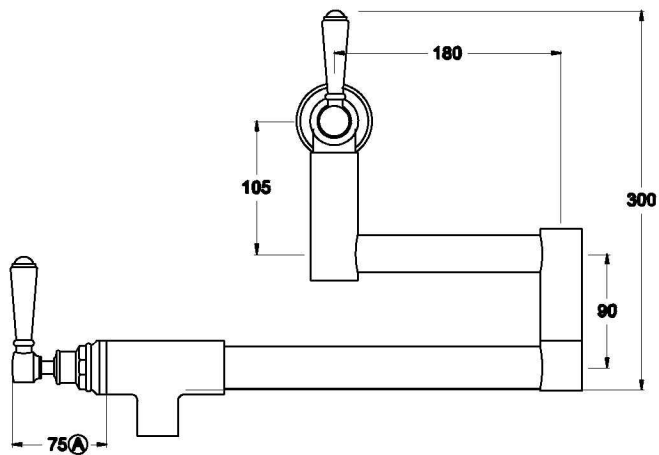
WINSLOW POT FILLER WITH METAL LEVERS

1.8127.03.3.XX

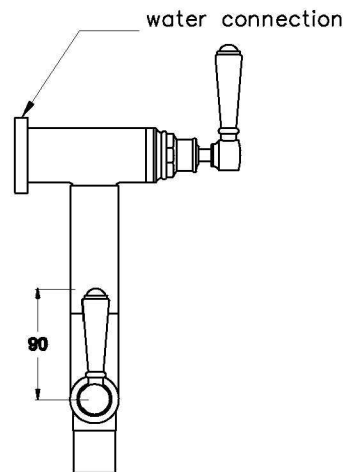


PRODUCT DIMENSIONS:

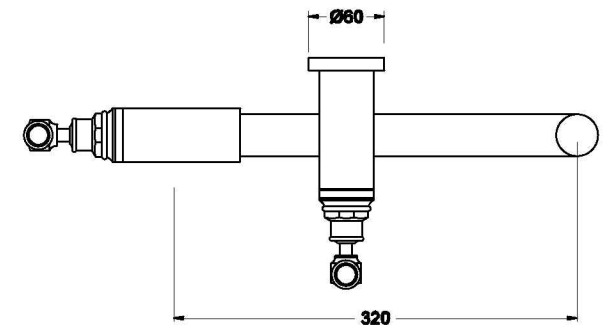
Front view



Side view:



Top view:



Note:

- Contact your installer regarding installation location
- 1/2" BSP male thread water connection point required in the wall