

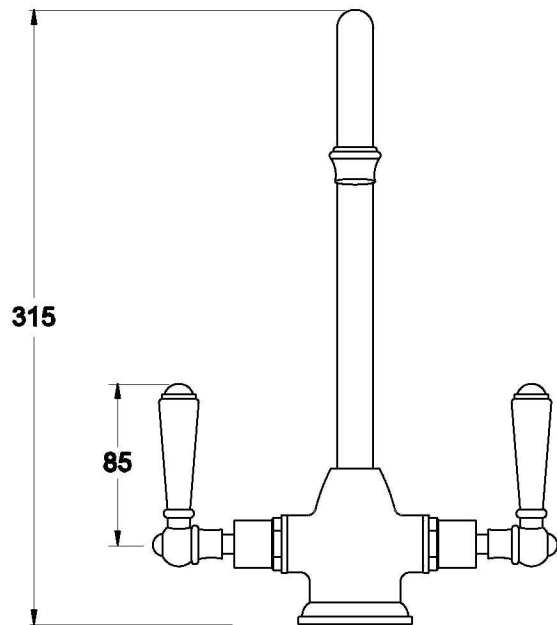
NEU ENGLAND KITCHEN MIXER WITH METAL LEVERS

1.8030.00.3.XX

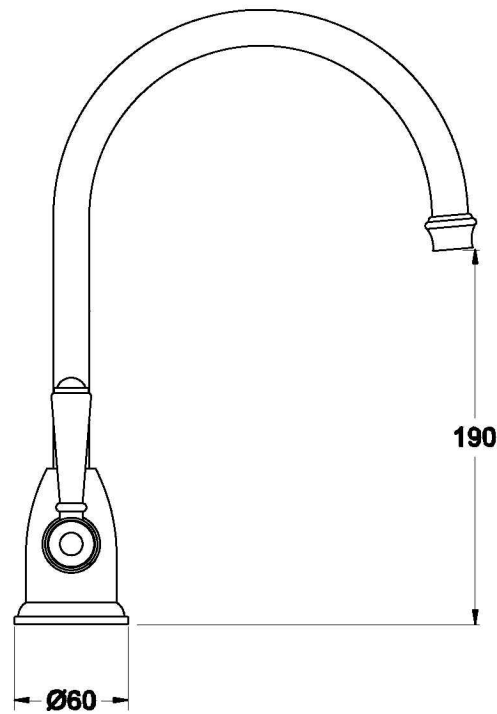


PRODUCT DIMENSIONS:

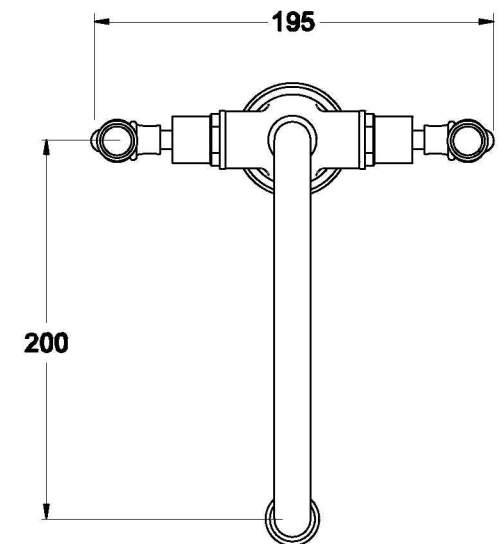
Front view



Side view:



Top view:



Note: Mixer requires Ø35mm hole in the bench or basin

XX suffix indicates finish – SEE WEBSITE FOR COLOUR CODE
Specifications and design subject to change without notice
All dimensions are approximate
A = approximate distance
Copyright ©Brodware 2021