

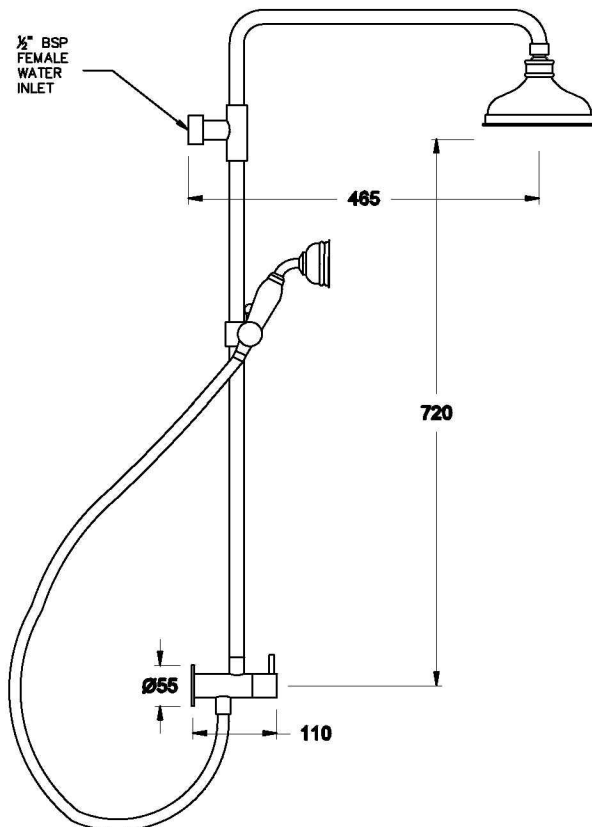
NEU ENGLAND EXPOSED SHOWER WITH HANDSHOWER AND DIVERTER - TOP ENTRY

1.8023.04.0.XX

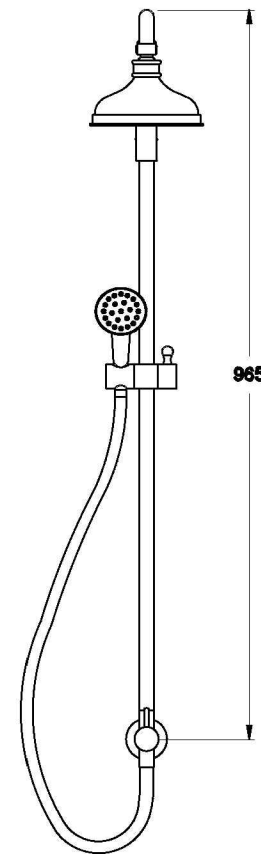


PRODUCT DIMENSIONS:

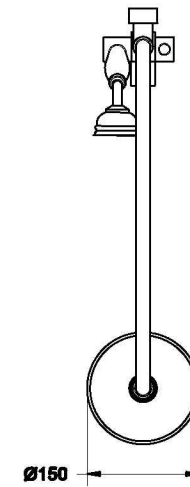
Front view



Side view:



Top view:



Note: G $\frac{1}{2}$ " BSP male fittings required to the wall

XX suffix indicates finish – SEE WEBSITE FOR COLOUR CODE
Specifications and design subject to change without notice
All dimensions are approximate
A = approximate distance
Copyright ©Brodware 2021