

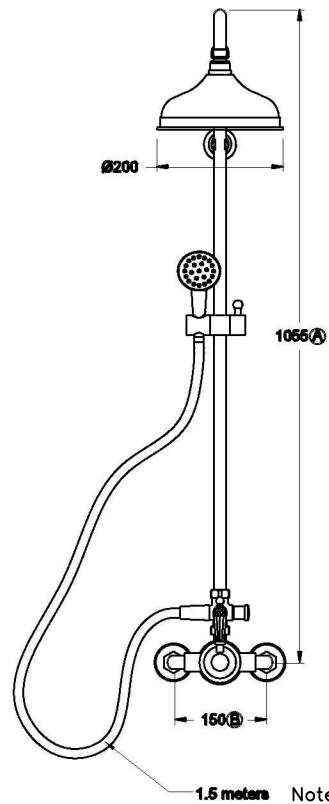
## NEU ENGLAND SHOWER MIXER SET WITH KRISTALL LEVER

1.8014.23.8.XX

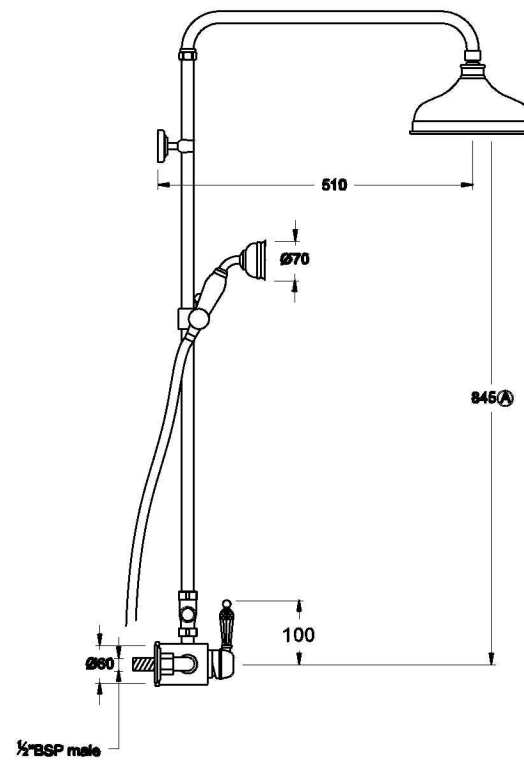


### PRODUCT DIMENSIONS:

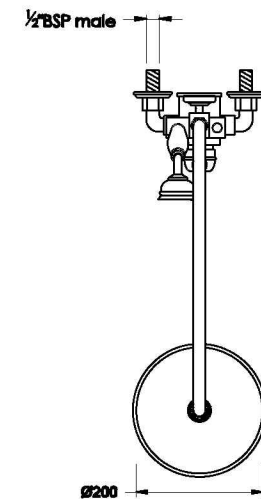
Front view



Side view:



Top view:



Note: G 1/2" BSP female fittings required in the wall  
 (B) Fixed center, taps must have 150mm centres  
 (A) Maximum, adjustable, can be reduced at installation