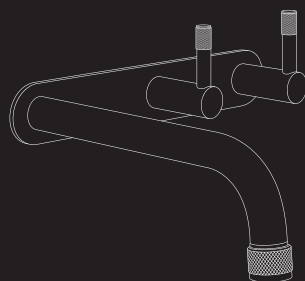
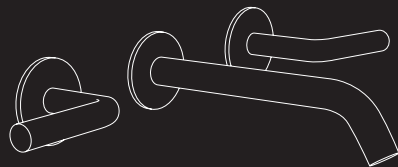


YOKATO & NANOBAR WALL INSTALLATION INSTRUCTIONS

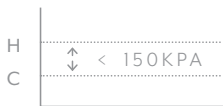
*SUITABLE FOR 1.9305.00, 1.9305.02, 1.9306.00,
1.9306.02, 1.9323.02, 1.9323.03, 1.9323.04, 1.9329.02,
1.9206.00 & 1.9249.00*



Brodware

IMPORTANT INFORMATION

- All tapware and showers to be installed by a licensed plumber and to Australian Standards. Fit tempering and pressure reduction valves where required. Flush water lines before fitment to avoid damage to valve.
- Water temperature is not to exceed 50oC as per AS3500
- Water pressure is not to exceed 500kPa as per AS3500
- Pressure difference: Hot - Cold water pressure difference is not to exceed 150kPa. This product is designed to work on high pressure systems only.



ADDITIONAL NOTES FOR INSTALLER:

- For servicing of the cartridge, turn off the water supply, unscrew the locknut from on top of the cartridge and remove the cartridge. Do not over tighten the locknut when reinstalling. The locknut should be tightened firmly, but not excessively.
- All tapware and plumbing must be tested before sheeting off/concealing, as per AS3500. This includes independently testing the hot and cold operation of the mixer.
- Water pressure must not exceed 500kpa as per AS3500, or the product will not be warranted.
- Ensure wall sheeting and tiles have a Ø40mm hole around the mixer to allow for future servicing.
- If hammer is apparent, all possible measures are to be taken, including but not limited to, correct and secure fixing of pipework, keeping the length of the pipework on the outlet as short as possible and the fitting of outlets that have a high star rating
- Check operation and test for leaks before plastering or tiling and refit tiling sleeve. Seal around bodies to prevent water penetration into wall
- On completion of tiling remove tiling sleeve and fit dress ring. Fit handle and secure with grub screw.

ALL PLUMBING MUST BE TESTED FOR PRESSURE & FUNCTIONALITY BEFORE CONCEALING/SHEETING OFF AS PER AS3500.

CERAMIC DISC CARTRIDGE INSTALLATION:

1. Important - Flush water lines on new installations to avoid damage to the valves
2. If retro fitting into existing plumbing, the tap seat must be cleaned up with a seating tool to ensure there is a uniform flat surface, square to the tap body.
3. Unscrew and separate cartridge locknut from cartridge body.
4. Remove locknut and install cartridge body with 15mm ring or tube spanner until cartridge comes to a firm stop - do not over-tighten or use multi-grips. Do not tighten cartridge using the spindle.
5. Fit washer over cartridge body and screw down locknut against face of tap body using a 25mm spanner. Do not use multi-grips to tighten.
6. Fit flange and fit handle using the Hex Allen key supplied.
7. Lever handle taps with ceramic disc cartridge rotate anticlockwise 'on' for hot and clockwise 'on' for cold. When fitting lever handle cartridges, it is important to first check the position of the lever handle. Lever handles should be fitted so that whilst they point away from each other, they should be parallel. This is done by trial fitting the handles before fitting the locknuts. The cartridge can then be slightly tightened or slightly backed off if it needs to be to ensure handles are parallel.
8. Seal around bodies to prevent water penetration into wall.
9. Extended cartridges and locknuts are available on request at an extra cost.

INSTALLATION GUIDE

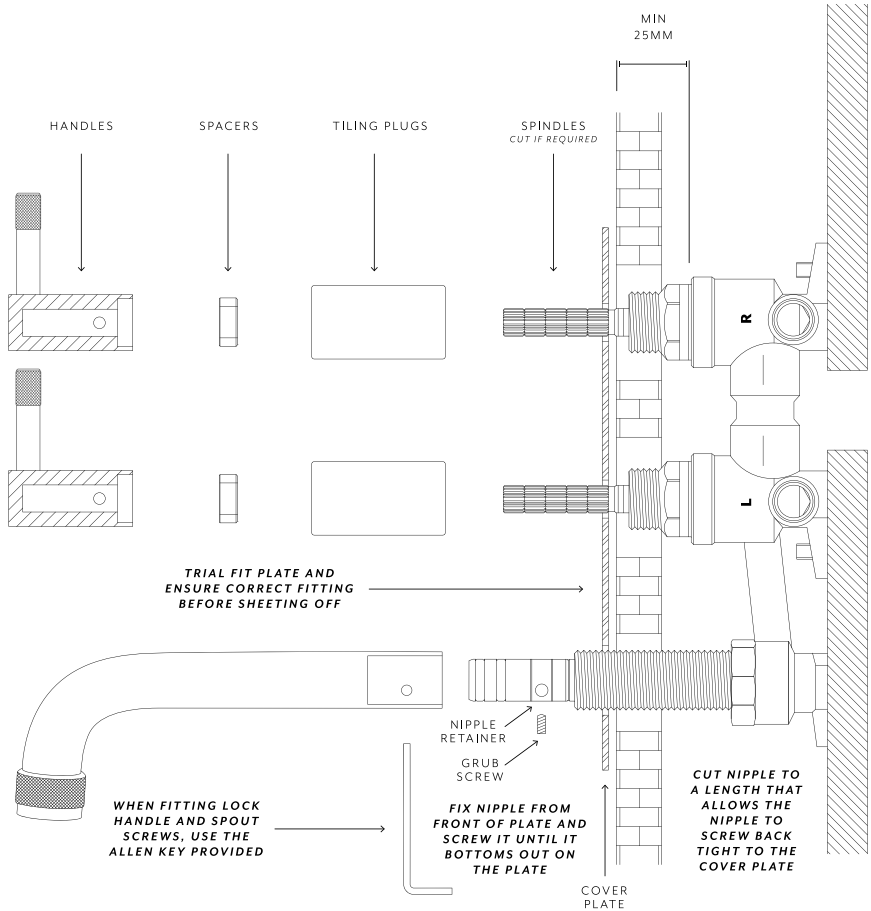
PRE-INSTALLATION NOTES:

1. Ensure that you have access to the hob cavity.
2. A 46mm Ø hole is required in the hob to fit the mixer body.
3. A ½" BSP male hot and cold water feed points should be installed inside the hob cavity, near the installation point of the mixer
4. Remove the mixer handle, handle spacer and mixer sleeve.
5. From the under side, feed the mixer body with the washer and space up through the hole in the hob. Screw down the mixer sleeve from the top side.
6. Screw the adjustable fixing ring hand tight to the under side. Tighten up the 3 mounting screws firmly to the mixer space ring. Check for rigidity.
7. Connect the cold and hot water flexi hoses to the water feed points. Connect the mixed supply flexi hose to the outlet.
8. Refit the handle spacer and mixer handle to the top side of the mixer body.
9. Test for leaks and operational functionality.

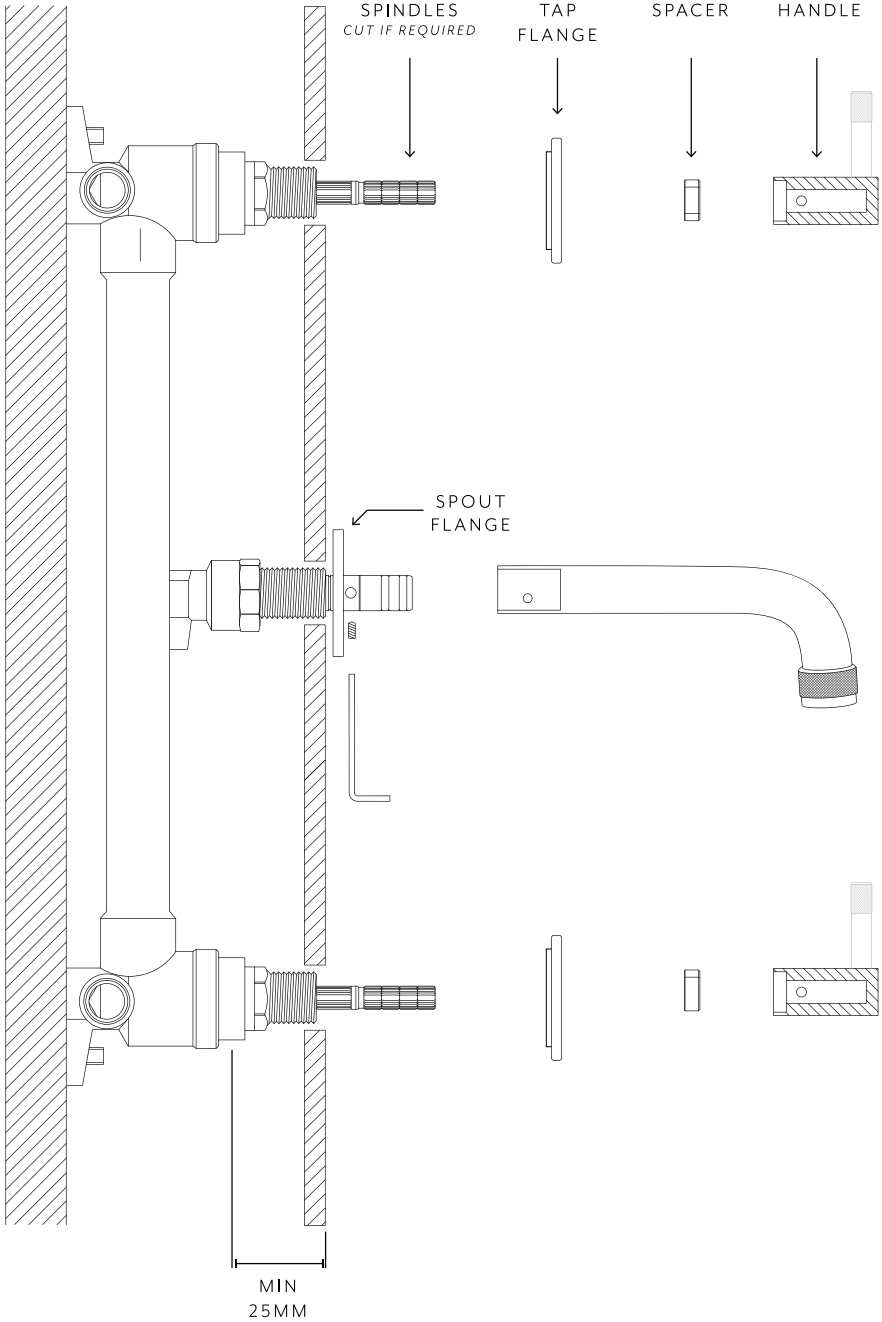
INSTALLATION INSTRUCTIONS:

1. Ensure face of finished wall to face of tap body is set back to a minimum of 25mm.
2. During the rough-in stage, screw on the grey tiling plugs to the spindle lock nuts. Tiling up hard to the tiling plug leaves sufficient space for the spindle to be serviceable. It is required to be tiled up hard to the plugs, as the cover plate is aesthetically thin and holes in the wall are not to be visible.
3. Before sheeting the wall, trial fit the cover plate to ensure that everything lines up with the holes in the cover plate, and that the unit is sitting level and square.
4. After tiling, remove the tiling plugs and locknuts and cut down the spline of the spindle to the required length and reinstall the spindle assembly. Trial fit the handles. Make sure they are sitting square and straight. If they need adjustment, please refer to the 'tapware' installation book provided.
5. Fit cover plate, followed by the handles with their spacers.
6. Screw the spout nipple through the hole in the cover plate. Calculate the amount of thread to cut off the nipple. Remove nipple and cut it back as required. Reinstall the nipple and fit off the spout.

1.9305.02, 1.9306.02, 1.9323.02, 1.9323.03, 1.9323.04 & 1.9329.02

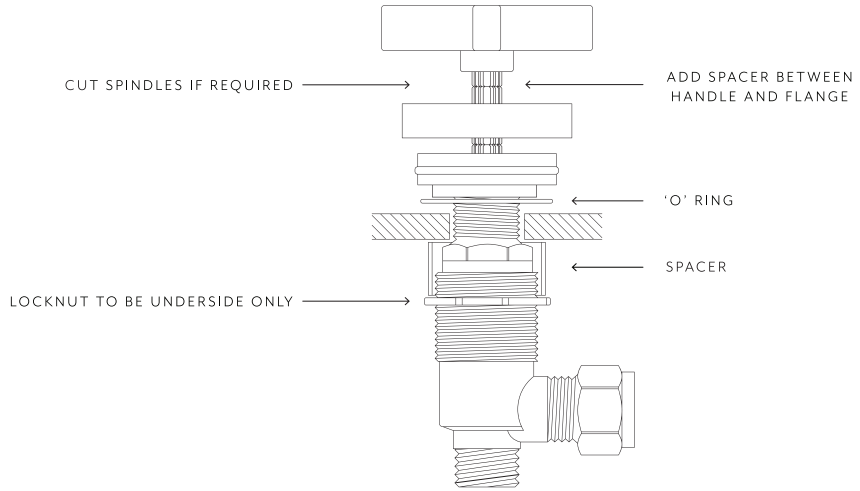


1.9305, 1.9306 &, 1.9206



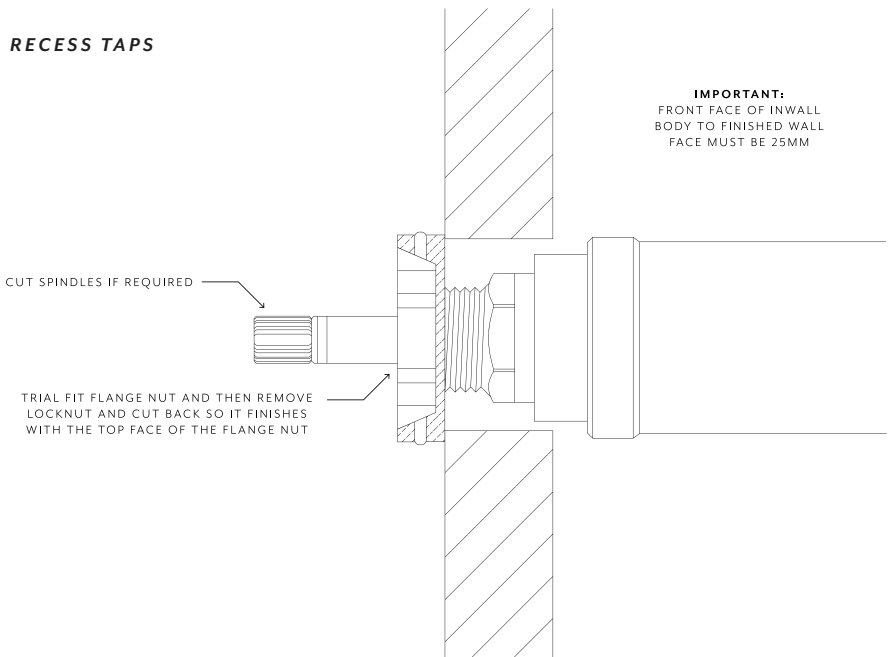
BASIN SET TAPS

FIX HANDLE TO SPINDLE BY
TIGHTENING SCREW WITH
HEX KEY. POSITION FIXING
SCREW TO REAR SO IT IS
NOT SEEN FROM THE FRONT



RECESS TAPS

IMPORTANT:
FRONT FACE OF INWALL
BODY TO FINISHED WALL
FACE MUST BE 25MM



Vogue Spas & Bathrooms