

# Brodware

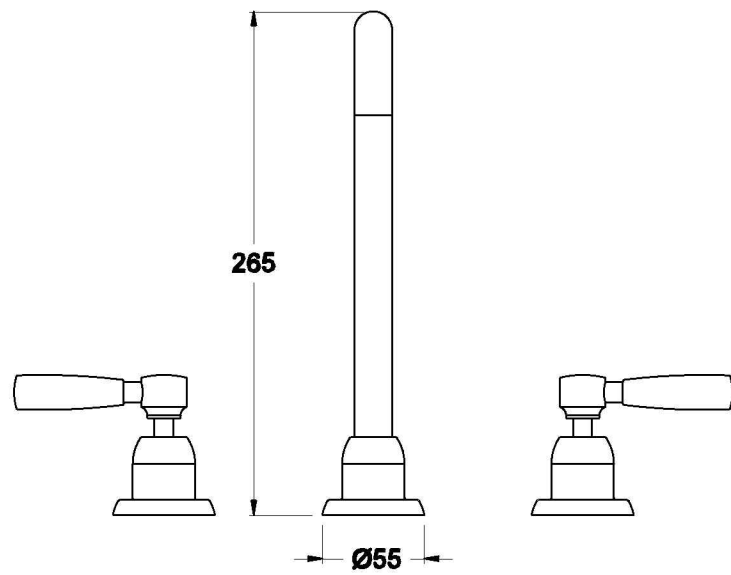
## MANHATTAN KITCHEN SET

1.9107.89.3.XX

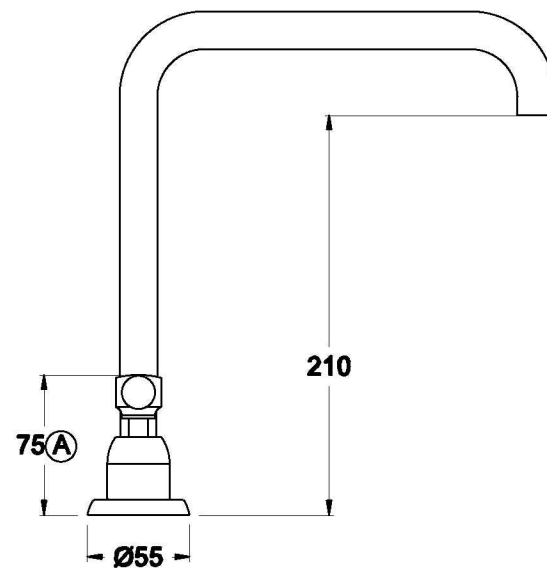


### PRODUCT DIMENSIONS:

Front view



Side view:



Top view:

