

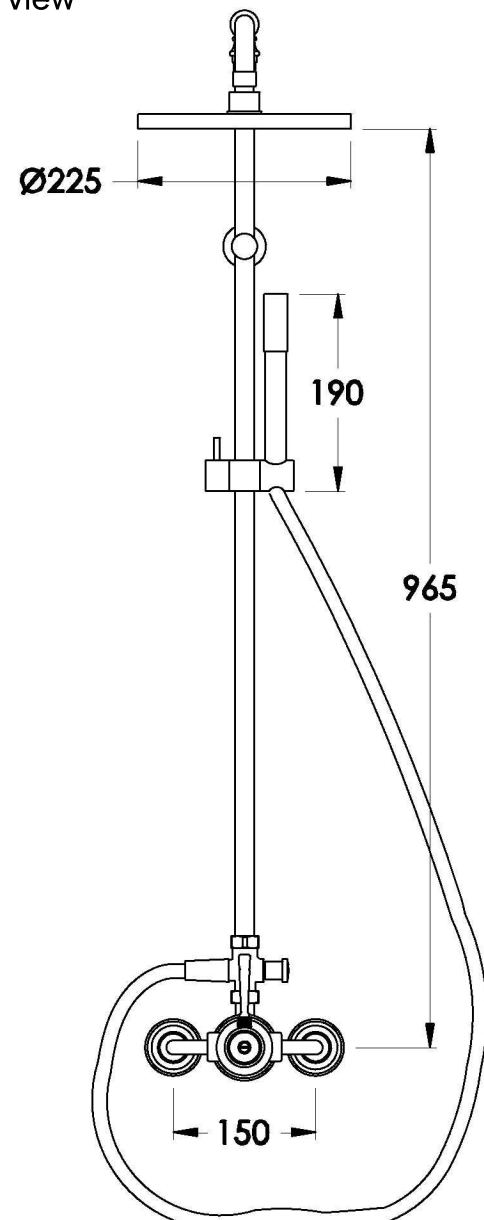
INDUSTRICA EXPOSED SHOWER SET WITH METAL LEVER

1.6714.00.3.XX

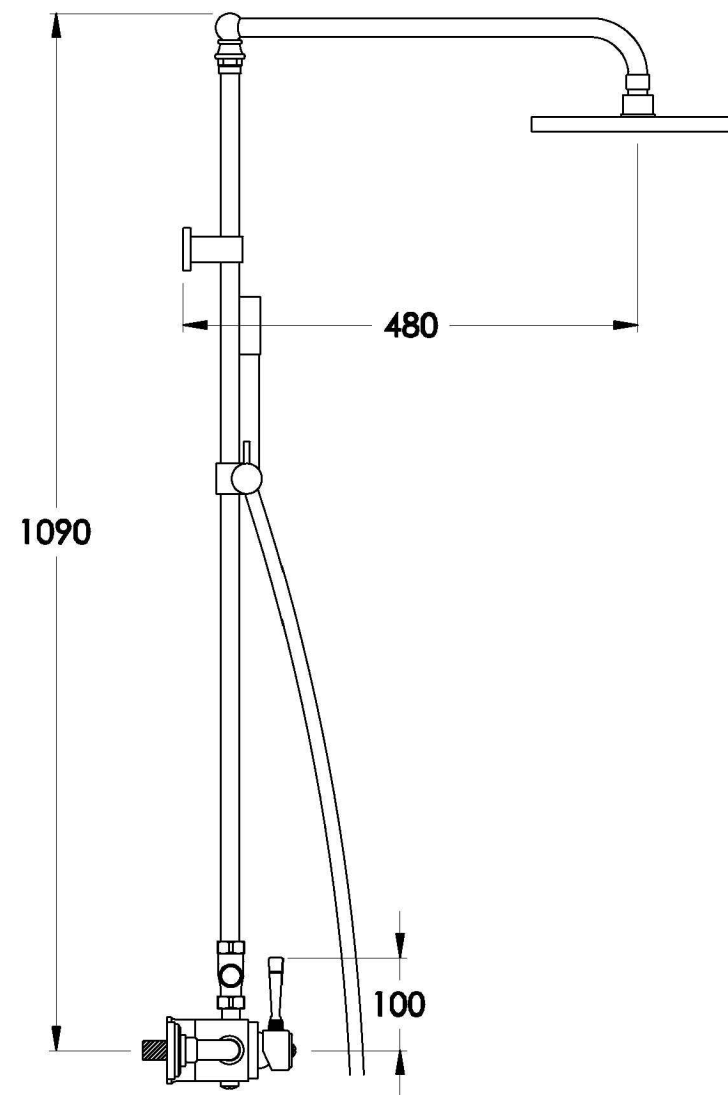


PRODUCT DIMENSIONS:

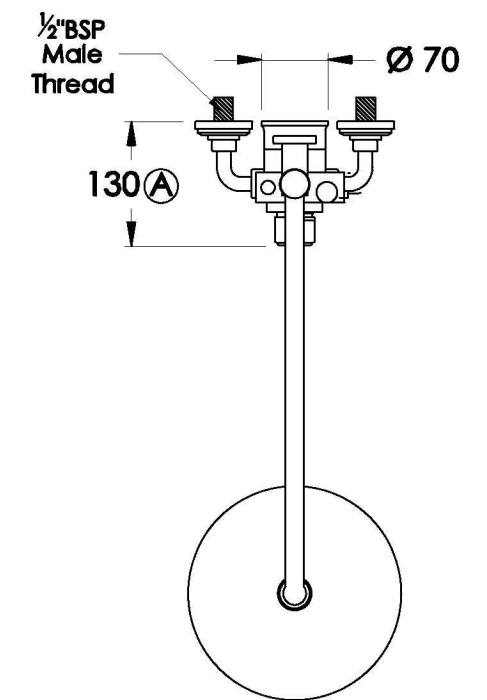
Front view



Side view:



Top view:



Note: 1/2" female thread is required in the wall, spaced at 150mm centre to centre