

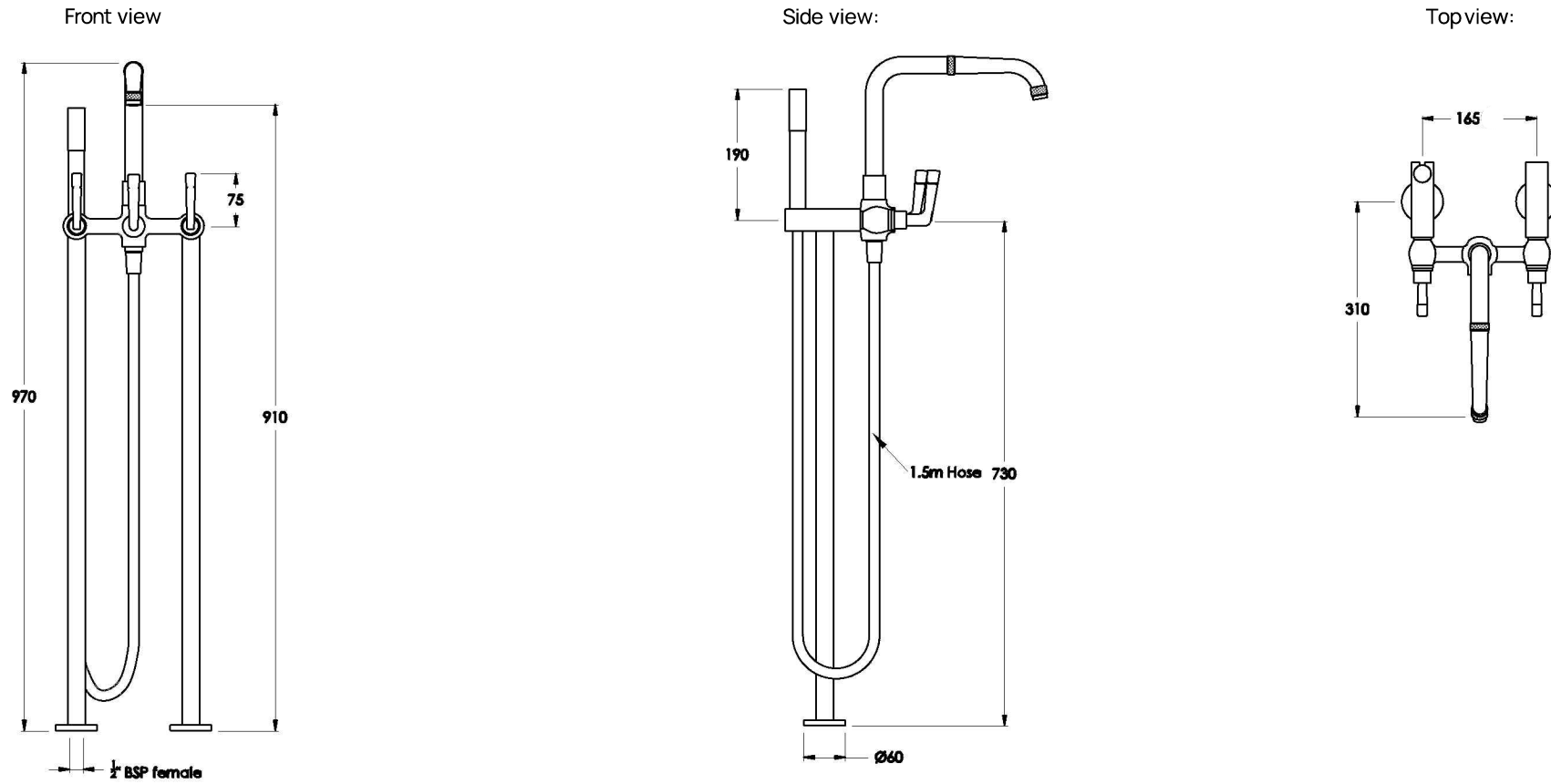
# Brodware

## INDUSTRICA FLOOR MOUNTED BATH / HANDSHOWER DIVERTER SET WITH METAL LEVERS

1.6722.00.3.XX



### PRODUCT DIMENSIONS:



Note: 1/2" BSP male threads are required in the floor