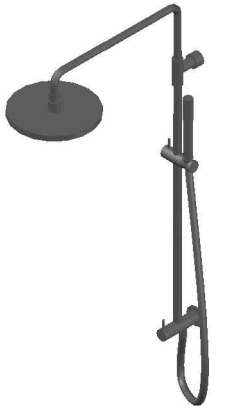


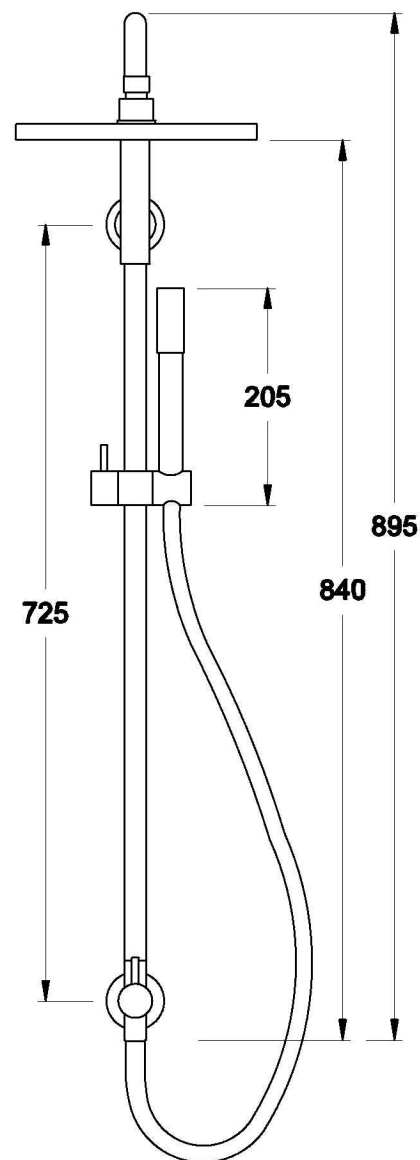
## CITY PLUS SHOWER

1.9723.04.0.XX

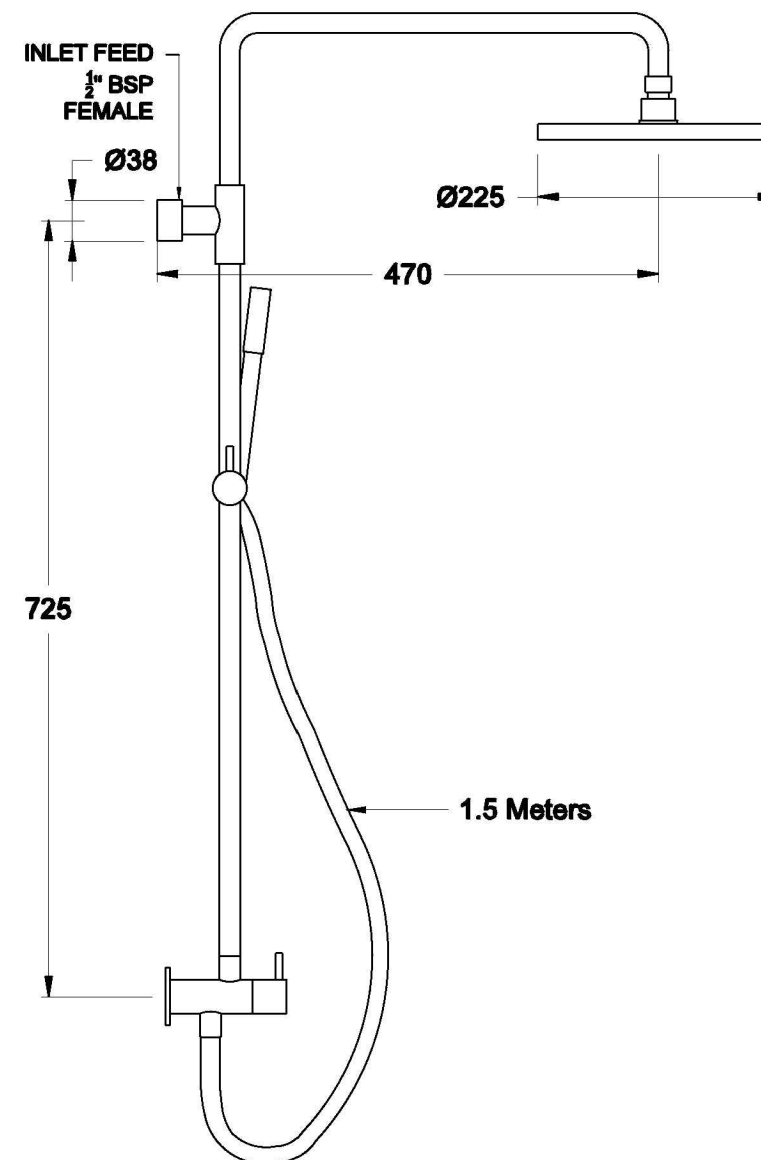


### PRODUCT DIMENSIONS:

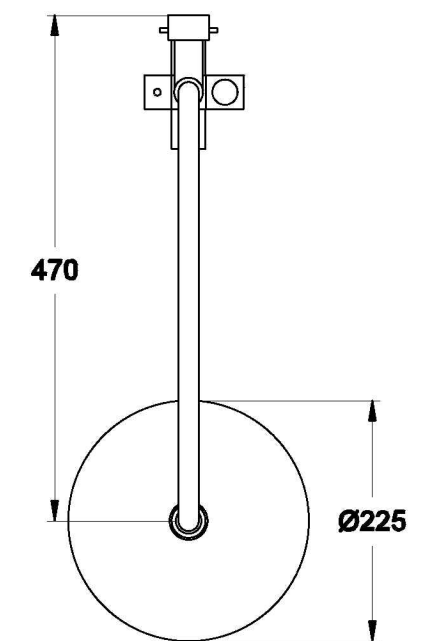
Front view



Side view:



Top view:



Note: top inlet feed required 1/2 inch BSP male thread in wall