

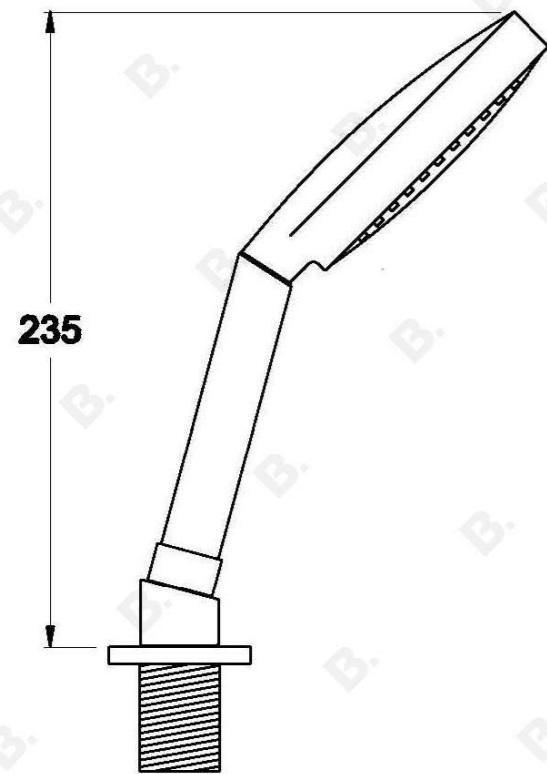
CITY PLUS MULTI FUNCTION HANDSHOWER

1.9742.06.0.XX

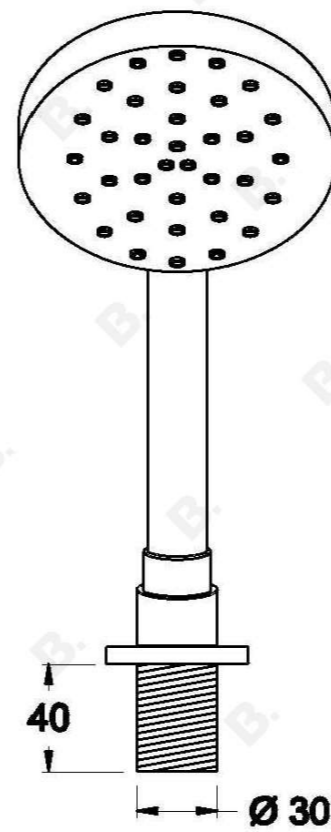


PRODUCT DIMENSIONS:

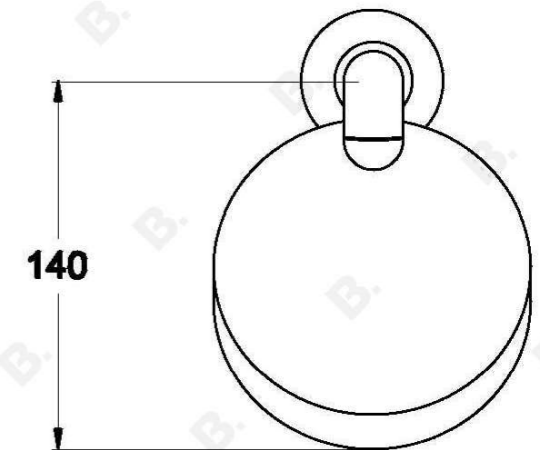
Front view:



Side view:



Top view:



- WATERPROOFING AND DRAINAGE REQUIRED IN BATH HOB.
- ACCESS PANEL REQUIRED FOR SERVING HANDSHOWER HOSE.

Note: hole size in hob to be 32mm