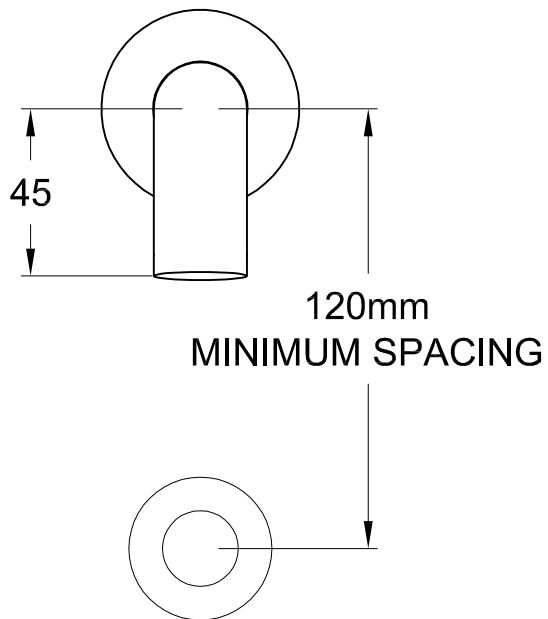
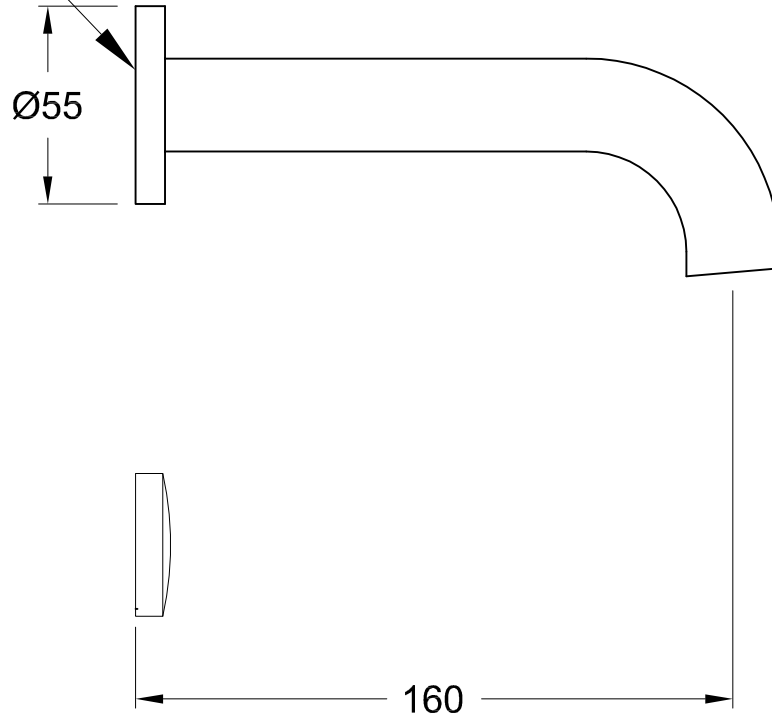


$\frac{1}{2}$ " BSP



**BROSMART**

**2.2705.00.0.XX**

XX Indicates finish

Ⓐ Approximate height

Dimensions subject to change without notice. All dimensions are approximate.

Copyright © Brodware Pty Ltd 2016. [www.brodware.com](http://www.brodware.com)