
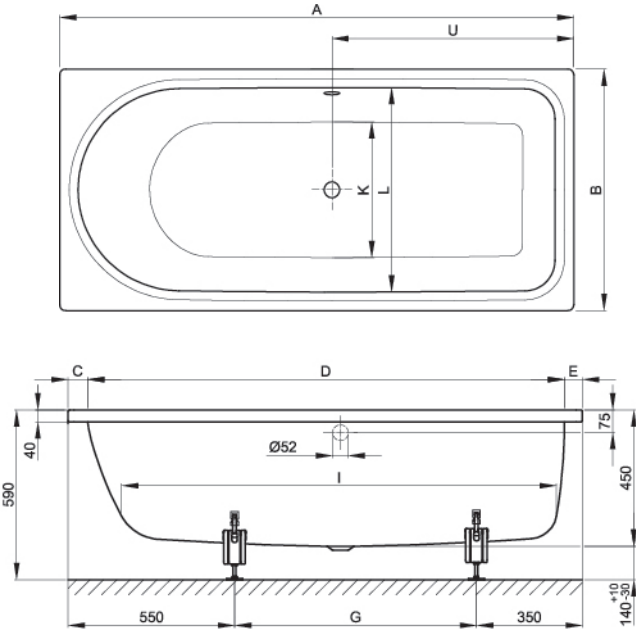




BETTEOCEAN 1700 DROP IN BATH

Product Image	Technical Specification																										
																											
<p>dimension</p> <p>170 x 80 x 45 cm</p>	<table border="1" style="width: 100%; border-collapse: collapse;"> <thead> <tr> <th></th> <th>A</th> <th>B</th> <th>C</th> <th>D</th> <th>E</th> <th>G</th> <th>I</th> <th>K</th> <th>L</th> <th>U</th> <th>Volume</th> <th>Weight</th> </tr> </thead> <tbody> <tr> <td></td> <td>1700</td> <td>800</td> <td>65</td> <td>1575</td> <td>60</td> <td>800</td> <td>1435</td> <td>605</td> <td>665</td> <td>800</td> <td>202 litre</td> <td>58.0kg</td> </tr> </tbody> </table>		A	B	C	D	E	G	I	K	L	U	Volume	Weight		1700	800	65	1575	60	800	1435	605	665	800	202 litre	58.0kg
	A	B	C	D	E	G	I	K	L	U	Volume	Weight															
	1700	800	65	1575	60	800	1435	605	665	800	202 litre	58.0kg															

Description

BetteOcean Bath

B8765WOB Chrome Overflow Waste
B8765WWOB White Overflow Waste
B8765WFB Chrome Overflow Waste | Bath Filler
B8765WWFB White Overflow Waste | Bath Filler

Additional Information

Available options:

- B23-1500 Universal Bath Feet
- Integrated bath filler
- Includes Tiling Lip
- Includes Waste Overflow Combination
- For bath filler water supply rough-in, a mixer (or similar) should be located close to the bath filler. The mixed water supply outlet feed should be roughed-in within 450mm of the bath filler.



