
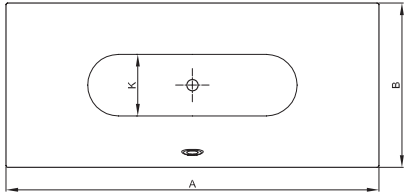
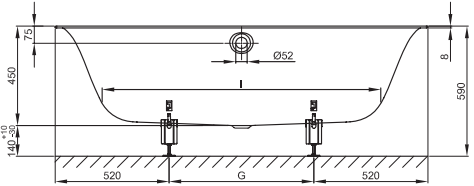




BETTELUX 1700 BATH

Product Image	Technical Specification																									
																										
	<table border="1" style="width: 100%; border-collapse: collapse;"> <thead> <tr> <th style="width: 15%;">dimension</th> <th style="width: 10%;">A</th> <th style="width: 10%;">B</th> <th style="width: 10%;">G</th> <th style="width: 10%;">I</th> <th style="width: 10%;">K</th> <th style="width: 15%;">Volume</th> <th style="width: 10%;">Weight</th> </tr> </thead> <tbody> <tr> <td>170 x 75 x 45 cm</td> <td>1700</td> <td>750</td> <td>660</td> <td>1270</td> <td>507</td> <td>156 litre</td> <td>41.0kg</td> </tr> <tr> <td>180 x 80 x 45 cm</td> <td>1800</td> <td>800</td> <td>760</td> <td>1345</td> <td>545</td> <td>185 litre</td> <td>45.0kg</td> </tr> </tbody> </table>	dimension	A	B	G	I	K	Volume	Weight	170 x 75 x 45 cm	1700	750	660	1270	507	156 litre	41.0kg	180 x 80 x 45 cm	1800	800	760	1345	545	185 litre	45.0kg	
dimension	A	B	G	I	K	Volume	Weight																			
170 x 75 x 45 cm	1700	750	660	1270	507	156 litre	41.0kg																			
180 x 80 x 45 cm	1800	800	760	1345	545	185 litre	45.0kg																			

Description

BetteLux 1700 Bath
With Overflow

B3440WOB Chrome Overflow Waste
B3440WWOB White Overflow Waste
B3440WFB Chrome Overflow Waste | Bath Filler
B3440WWFB White Overflow Waste | Bath Filler

Additional Information

Available options:

- B23-1500 Universal Bath Feet
- Integrated bath filler
- Includes Waste Overflow Combination
- For bath filler water supply rough-in, a mixer (or similar) should be located close to the bath filler. The mixed water supply outlet feed should be roughed-in within 450mm of the bath filler.

