

AXOR Starck Organic

Electronic basin mixer with temperature pre-adjustment with mains connection 230 V

Surfaces: **Chrome** Article Number: **12174000**



product features

- ComfortZone 80
- spray type: shower spray
- maximum flow rate at 3 bar: 3,5 l/min
- with isolated water conduction - without contact with nickel and lead
- suitable for continuous flow water heaters
- infrared sensor technology
- automatic environmental adjustment of infrared sensor
- adjustable optical range of infrared sensor (2 settings)
- 230 V / 50 Hz mains connection
- running time: 10 s
- hygiene rinse activatable (automatic water flow)
- frequency of hygiene rinse: 24 h
- flushing time hygiene rinse: 10 s
- permanent rinse activatable (single water flow for 180 seconds, suitable for thermal disinfection)
- cleaning mode: manual water stop for washbasin cleaning
- connection dimension: DN15
- dirt filters in the connection hoses

Technology



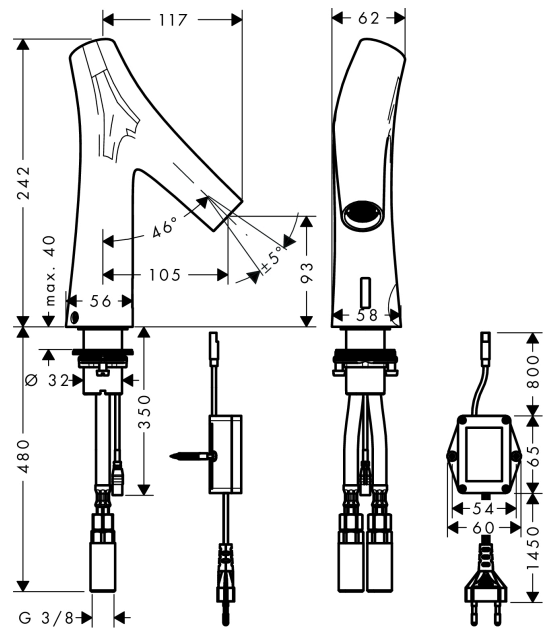
AXOR Starck Organic
Electronic basin mixer with temperature pre-adjustment with mains connection 230 V
 Surfaces: **Chrome** Article Number: **12174000**



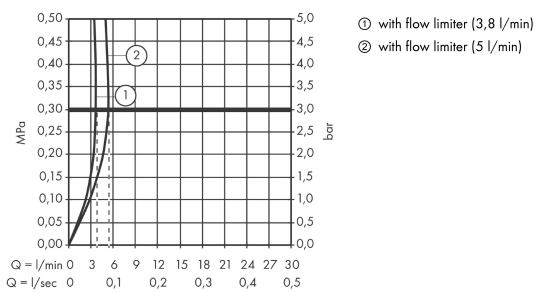
Product image



Scale drawing



Flowchart

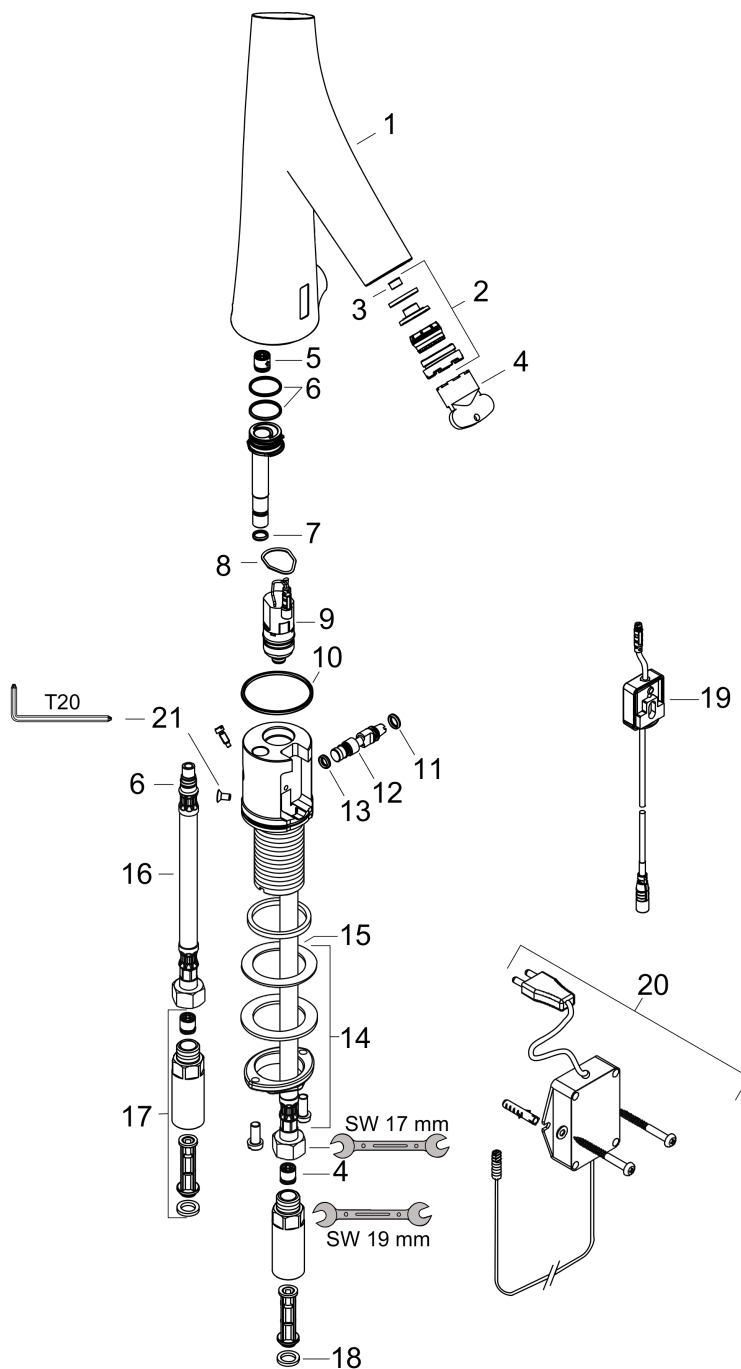


AXOR Starck Organic
Electronic basin mixer with temperature pre-adjustment with mains connection 230 V
 Surfaces: **Chrome** Article Number: **12174000**



Exploded Drawing

Year of production: >02/16



AXOR Starck Organic
Electronic basin mixer with temperature pre-adjustment with mains connection 230 V
 Surfaces: **Chrome** Article Number: **12174000**



Spare part list

Year of production: >02/16

Pos.		Article Number	Price	PU
1	mixer-hood	92809000	€ 539,55	1
2	spray former	92408000	€ 124,95	1
3	flow limiter (4 l/min)	92560000	€ 5,24	1
4	special tool	95158000	€ 5,24	1
5	non return valve DW 10	96456000	€ 8,45	1
6	O-ring 18x1,5	98231000	€ 3,21	1
7	O-ring 7x1,5	98422000	€ 3,21	1
8	O-ring 17x2	98199000	€ 3,21	1
9	solenoid valve	95654000	€ 162,08	1
10	O-ring 41x2	98212000	€ 3,21	1
11	O-ring 6x2	98458000	€ 3,21	1
12	mixing shaft	92377000	€ 70,57	1
13	O-ring 5x2	98215000	€ 3,21	1
14	fixing set (Ø 32)	13961000	€ 22,37	1
15	lever collar	97548000	€ 3,21	1
16	connection hose 450 mm	92345000	€ 28,20	1
17	back flow preventor cartridge with microfilter	92297000	€ 86,16	1
18	sealing set	95581000	€ 5,24	1
19	electronics	92346000	€ 162,08	1
20	transformer	98800000	€ 162,08	1
21	screw	93272000	€ 3,21	1
a	fixation extension 35 mm	13898000	€ 70,57	1
b	flow limiter (5 l/min)	95311000	€ 5,24	1