

AXOR Starck

Electronic basin mixer with temperature pre-adjustment with mains connection 230 V

Surfaces: **Chrome** Article Number: **10145000**



product features

- ComfortZone 90
- projection 103 mm
- spray type: normal spray
- maximum flow rate at 3 bar: 5 l/min
- temperature pre-adjustable
- suitable for continuous flow water heaters
- infrared sensor technology
- automatic environmental adjustment of infrared sensor
- adjustable optical range of infrared sensor (2 settings)
- 230 V / 50 Hz mains connection
- running time: 10 s
- hygiene rinse activatable (automatic water flow)
- frequency of hygiene rinse: 24 h
- flushing time hygiene rinse: 10 s
- permanent rinse activatable (single water flow for 180 seconds, suitable for thermal disinfection)
- cleaning mode: manual water stop for washbasin cleaning
- connection dimension: DN15
- TÜV certified
- dirt filters in the connection hoses

Technology



AXOR Starck

Electronic basin mixer with temperature pre-adjustment with mains connection 230 V

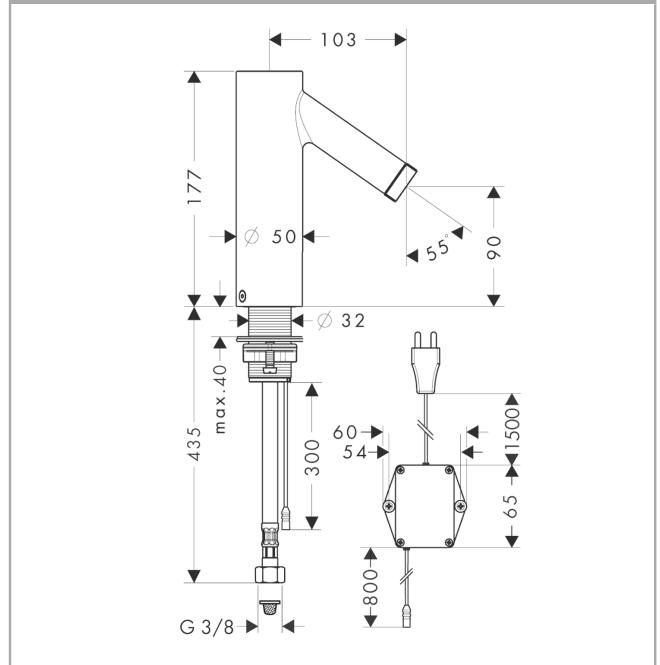
Surfaces: **Chrome** Article Number: **10145000**



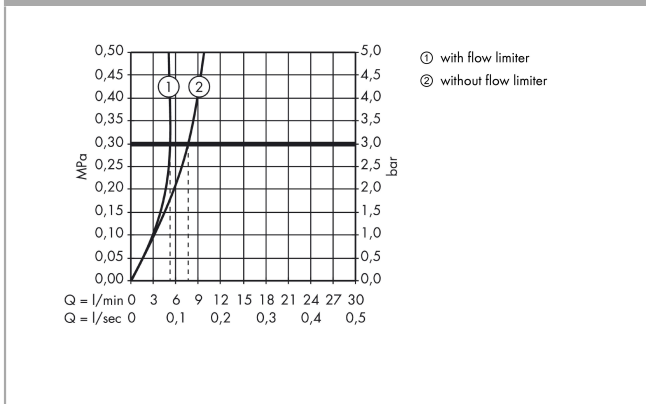
Product image



Scale drawing



Flowchart

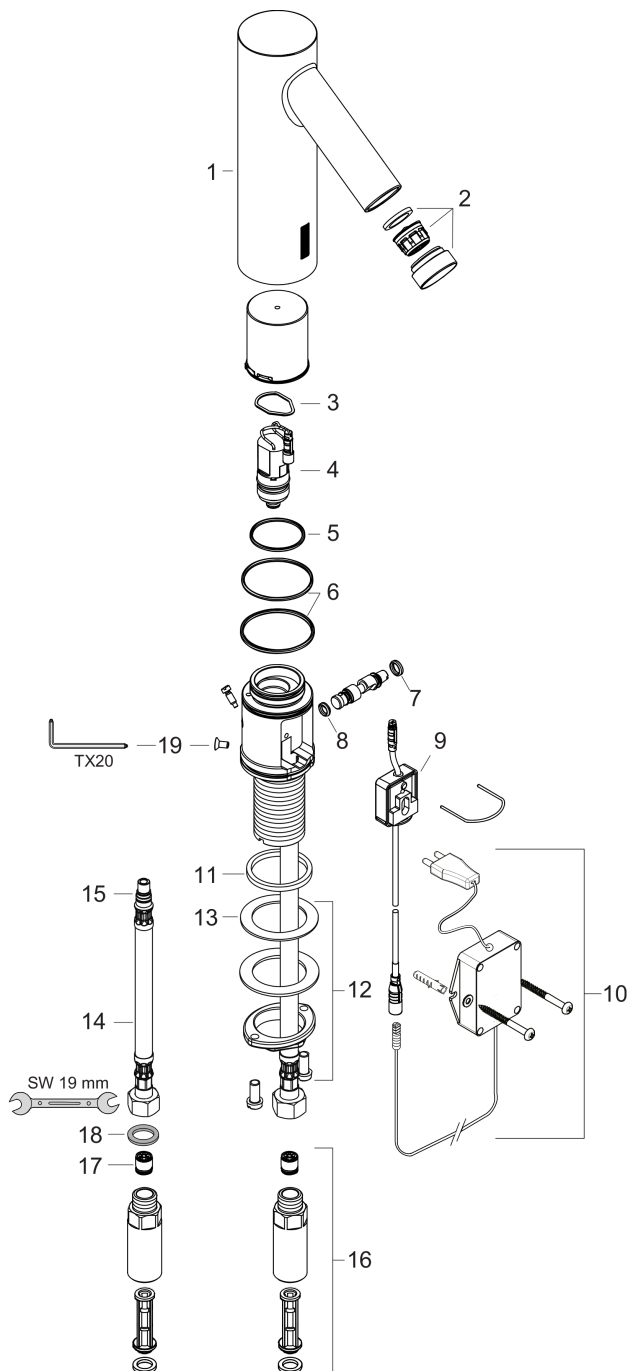


AXOR Starck
Electronic basin mixer with temperature pre-adjustment with mains connection 230 V
 Surfaces: **Chrome** Article Number: **10145000**



Exploded Drawing

Year of production: >02/16



AXOR Starck

Electronic basin mixer with temperature pre-adjustment with mains connection 230 V

Surfaces: **Chrome** Article Number: **10145000**



Spare part list

Year of production: >02/16

Pos.		Article Number	Price	PU
1	mixer-hood	92302000	€ 329,87	1
2	aerator M24x1 (5 l/min)	95379000	€ 35,94	1
3	O-ring 17x2	98199000	€ 3,21	1
4	solenoid valve	95654000	€ 162,08	1
5	O-ring 31x2	98204000	€ 5,24	1
6	O-ring 41x2	98212000	€ 3,21	1
7	O-ring 6x2	98458000	€ 3,21	1
8	O-ring 5x2	98215000	€ 3,21	1
9	electronics	92346000	€ 162,08	1
10	transformer	98800000	€ 162,08	1
11	flat seal	98749000	€ 5,24	1
12	fixing set (Ø 32)	13961000	€ 22,37	1
13	lever collar	97548000	€ 3,21	1
14	connection hose 450 mm M8x0,75 G3/8	98809000	€ 44,63	1
15	O-ring 7x1,5	98422000	€ 3,21	1
16	back flow preventor cartridge with microfilter	92297000	€ 86,16	1
17	sealing set	95581000	€ 5,24	1
18	non return valve DW 10	96456000	€ 8,45	1
19	screw	93272000	€ 3,21	1
a	fixation extension 35 mm	13898000	€ 70,57	1